

SPOTLIGHT

SEWING MACHINE DUST COVER

Nº 15.23.06
PROJECT SHEET

THE NATURAL HOME HANS BLOMQUIST
THE LAURA ASHLEY BOOK OF HOME DECORATING OCTOPUS BOOKS



It's what you make it.

**SHOW US WHAT
YOU'RE MAKING**

 /spotlightstores

 @spotlightstores

SEWING MACHINE DUST COVER

e EASY

WHAT YOU'LL NEED

- 1m Woven Fabric
- Pins
- Scissors
- Thread
- Sewing Machine

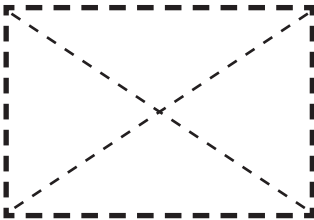
INSTRUCTIONS:

CUTTING

Step 1 - Lay out all pattern pieces, pin into place and cut. Be mindful if your fabric has a one-way design.

Step 2- Next, sew the handle piece and turn out. Line up handle on top pattern piece and stitch.

We used a square and cross stitch like this example:



Step 3 - Hem pocket pieces at top.

Step 4 - Line up pocket on side pieces and baste around edge.

Step 5 - Pin main side pieces to top piece, sew. Repeat with end/pocket pieces.

Step 6 - Sew sides closed.

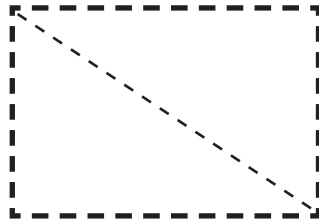
Step 7 - Trim corners and turn out.

Step 8 - Test cover on your machine and make sure it is the correct length; shorten if required.

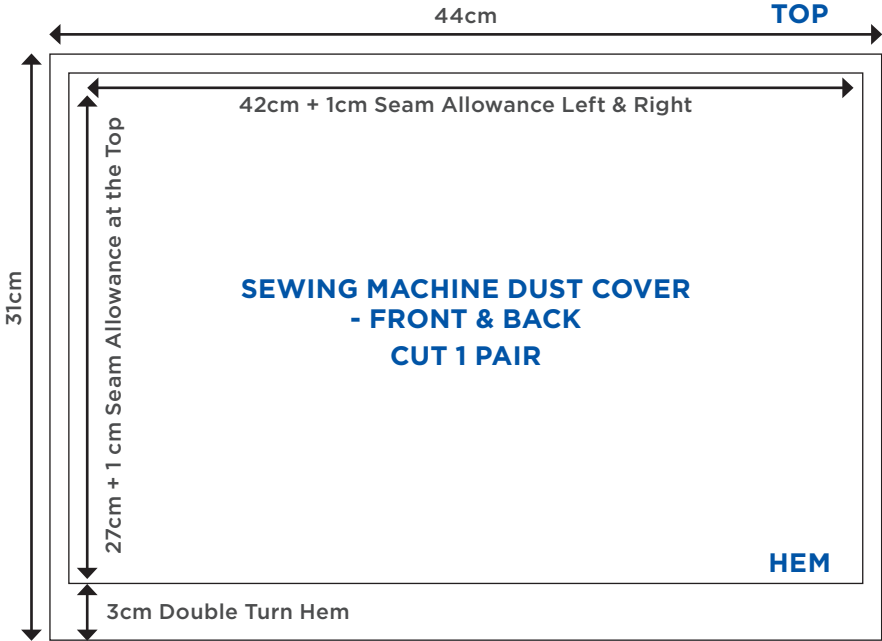
Step 9 - Double turn hem and stitch.

Step 10 - With hanging loop pattern piece, sew long ends together and turn right side out creating a tube. Press wit seam to back.

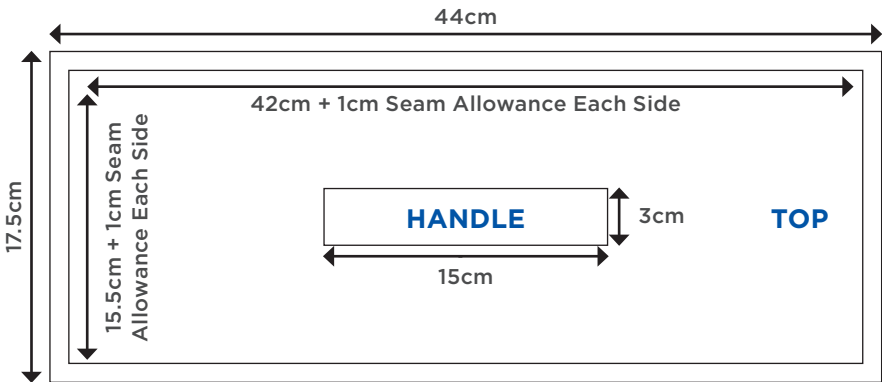
Step 11 - Fold hanging loop in half and secure to inside of top of the holder main. We used a square and cross stitch for added strength for the loop.



SCALE: 1/4
TEMPLATE

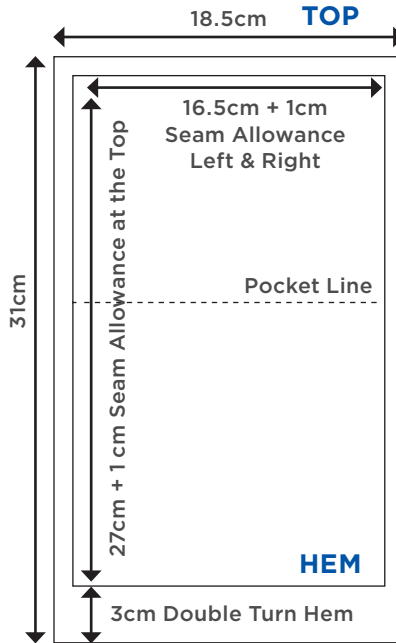


**SEWING MACHINE DUST COVER - HANDLE
CUT 1**



SCALE: 1/4

**SEWING MACHINE
DUST COVER - SIDES
CUT 1 PAIR**



**SEWING MACHINE
DUST COVER -
SIDE POCKET
CUT 1**

