

SPOTLIGHT

**POLAR
FLEECE
MUSHROOMS**

Nº 01.24.04
PROJECT SHEET



It's what you make it.

**SHOW US WHAT
YOU'RE MAKING**

 /spotlightstores

 @spotlightstores

POLAR FLEECE MUSHROOMS

i INTERMEDIATE

WHAT YOU'LL NEED

- Polar fleece – White
- Polar Fleece – Red
- Cream Ribbing
- 1 Black Felt A4 Sheet
- 1 White Felt A4 Sheet
- Hobby Fill
- Threads
- Scissors
- Pins
- Hand Sewing needle
- Sewing Machine
- Template – Print A3 scale for small Mushroom and increase size of print for desired size.

INSTRUCTIONS

Base of the Mushroom

Step 1 - Taking two of the “Mushroom Base” pieces, begin to sew a straight seam down one side. Begin at the flat top and sew down the curve stopping when the bottom edge begins to flatten.

Step 2 - Lay the third piece front facing down on the two joint pieces matching the top corner and curve. Repeat for the final open side joining all three sides together.

Step 3 - Using pins and the base bottom piece, divide the edge in four equal quadrants (this can be done by folding the piece in half horizontally and marking the points at the edge where the piece is in half, and repeating the process vertically). Repeat this for the created “Mushroom Base” from step 1.

Step 4 - Working around the base, pin the base bottom to the mushroom base. Straight stitch together and turn out. Stuff firmly with hobby fill.

Cap of the Mushroom

Step 1 - Adding each piece of the mushroom cap top at a time, lay two of the cap pieces right side facing, pin along one side. Sew together.

Step 2 - Take the next piece of the template, pin along the other side of the joining section. Ensure that the pointed ends are meeting and that you are sewing seams to meet. Repeat Step 1-2 for all remaining open sides of the cap.

Step 3 - Divide the cap of the mushroom into four equal sections (just as explained in step 3, for the base of the mushroom). Do this again to the cap underside piece. With right sides facing begin to pin the underside and the cap stretching the ribbing as you go. Sew together and turn out.

Step 4 - Stuff the mushroom cap firmly with hobby fill and using your hand needle sew the opening closed.

Step 5 - Using pins, center the mushroom base to the center bottom of the mushroom cap. Using a hand needle sew around the open edge attaching the two pieces together – ensure that a small seam allowance is being tucked inwards to create a tidy edge.

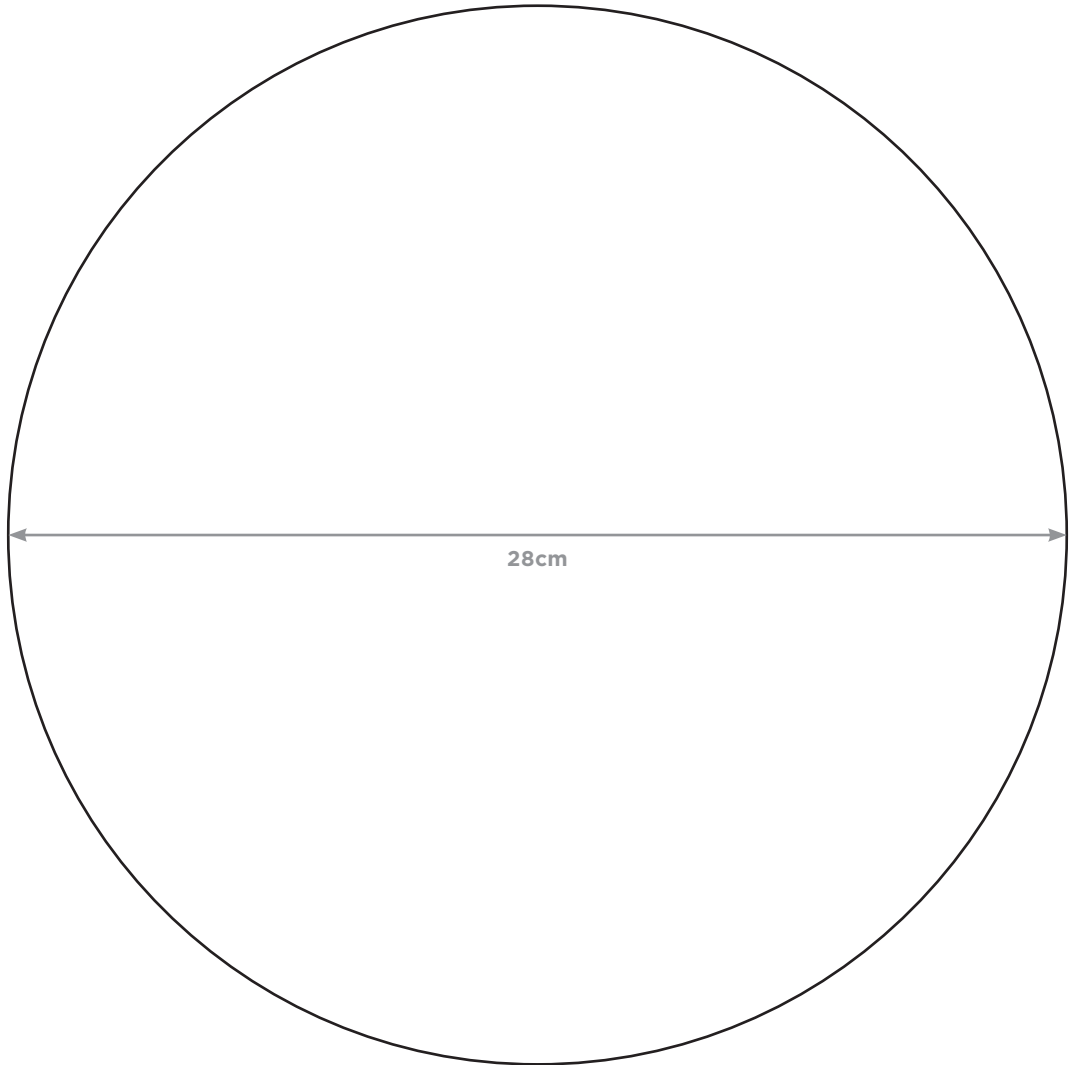
Tip - While attaching the cap to the base, add extra hobby fill to provide extra support and strength. Less stuffing will create a softer mushroom but will also make the cap floppy.

Decorating

Step 1 - Using the black and white A4 felt pieces cut out different facial features. Change the expression and aesthetic of the mushroom buddy.

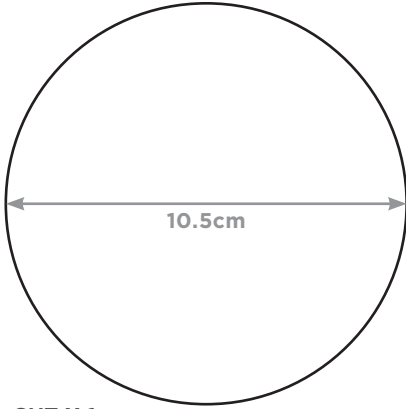
Step 2 - With matching colored threads, hand sew on the features to the base of the mushroom.

Note - This template has been scaled. You will need to print this template at actual size and blow it up by 200% to make it full size.

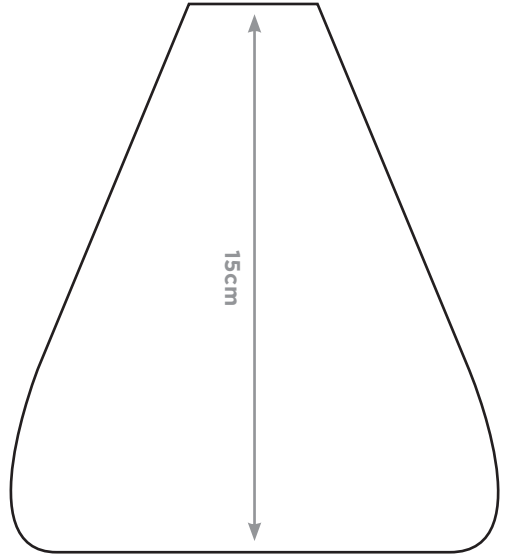


CUT X 1
MUSHROOM CAP UNDERSIDE

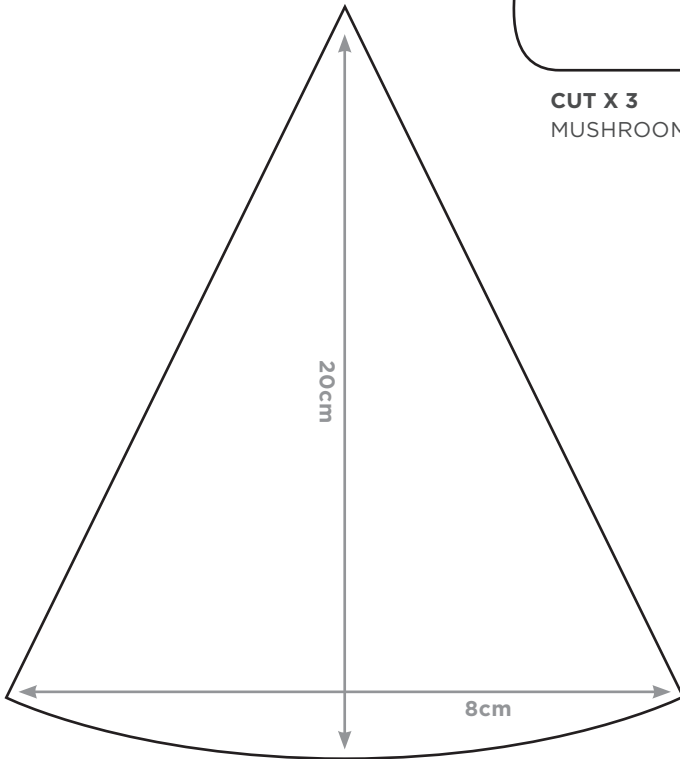
Note - This template has been scaled. You will need to print this template at actual size and blow it up by 200% to make it full size.



CUT X 1
MUSHROOM BASE BOTTOM



CUT X 3
MUSHROOM BASE



CUT X 6
MUSHROOM CAP TOP