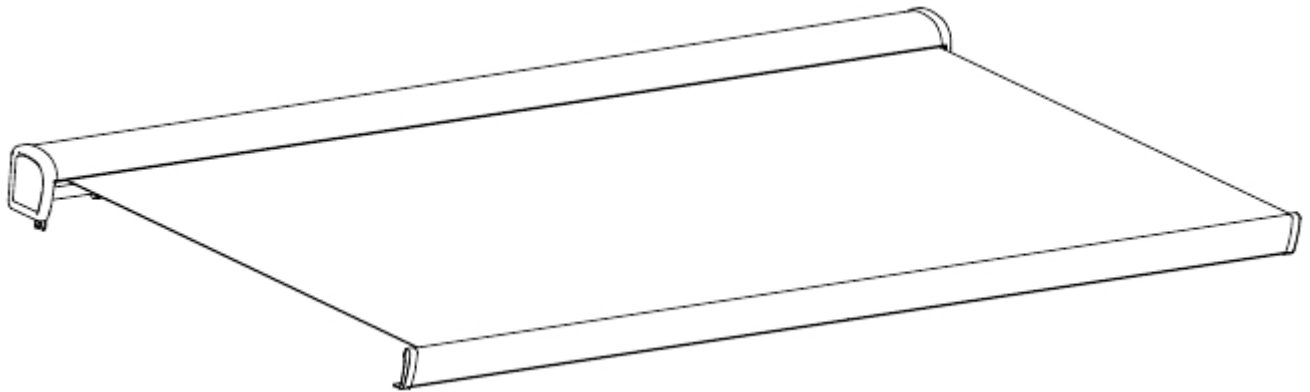


BW28000 Retractable Awning Installation Manual



WARNING! THIS INSTRUCTION MANUAL MUST BE READ BEFORE THE USE AND INSTALLATION OF THE PRODUCT.



WARNING! IT IS IMPORTANT FOR SAFETY OF THE CUSTOMER/PURCHASER TO FOLLOW THESE INSTRUCTIONS. PLEASE SAVE THESE INSTRUCTIONS FOR FUTURE REFERENCE.



GROUND FLOOR INSTALLATION ONLY!!

CONTENTS

- Specifications/Precautions and safety warnings for installation and operation
- Accessories and required tools
- Installation procedure
- Operation instructions
- Maintenance
- Name list of parts

Recommended installation for surface installation to be brick or concrete only.



PRECAUTIONS AND SAFETY WARNING FOR INSTALLATION AND OPERATION

1. Before opening the awning, make sure all of the fixing bolts are properly installed and tightened.
2. Always close the awning during rainy or windy days or when the awning is not in use.
3. The folding arms of the awning are under tension and can cause damage or injury when they are opened up suddenly.
4. Never try to repair the awning by yourself. Consult a qualified tradesman for help.
5. Failure to observe these instructions may lead to material and constructional damage of the awning.

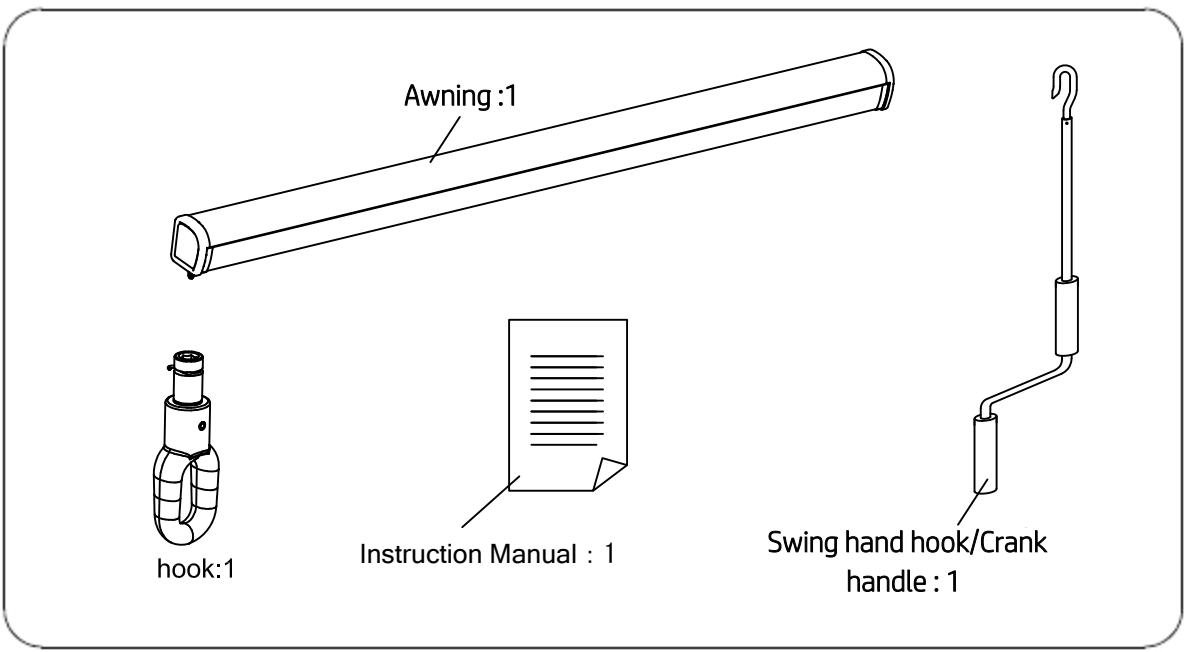
PLEASE PAY CLOSE ATTENTION TO THIS IMPORTANT AWNING INSTALLATION INFORMATION

- When you are ready to unpack and assemble the awning, make sure that you have the appropriate tools, sufficient operators (2 persons are suggested) and space, and a clean and dry area to perform the installation.
- The installation can be made by non-professionals assuming the instructions are followed correctly. Should you have any trouble during assembly, please consult the place of purchase.
- Save enough free space around the awning while rolling or unrolling.
- Check the awning every 3 – 6 months to ensure all fixings are tightened and no damage has occurred to the product.
- Frequently examine the installation for imbalance and signs of wear or damage to the springs. Do not use if repair or adjustment is necessary.
- Take care when operating the manual release with the external blind retracted.

PLEASE DO NOT DO THE FOLLOWING:

- Do not barbeque underneath the awning or ignite a fire near to the awning.
- Do not use the awning in places of high temperature such as walls near fire places or any other heat sources.
- Do not allow children to play with the awning or hang on the awning.
- Never use the awning in rainy or windy days.
- Never use the awning for other purposes.
- Operation in frosty conditions may damage the awning.
- Ensure you do not make any modifications to the awning of any kind.
- Never install the awning too high or/and in windy places, as the awning may drop and injure someone.
- Do not use it in a place that has vibrations or impulsions.
- Do not use on a balcony, second storey or above levels. **This awning must be fixed on ground level only.**
- Don't hang anything on the frame or on the folding arms as the awning may fall down and cause damage or personal injury.
- The awning is not intended for use by persons (including children) with lack of experience, knowledge, unless they have been given supervision or instructions concerning the use of the awning by a person responsibility for their safety.

ACCESSORIES AND TOOLS REQUIRED

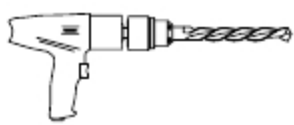


Set Screws

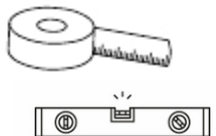
Wall Base Brackets

⚠ Attention!
The expansion bolts provided in the product are for concrete or brick wall. If you are installing the awning on surface other than for concrete or brick wall, please ensure the wall is of sufficient support and use the correct hardware to secure the awning on the support. *We do not recommend installing the awning on surfaces other than concrete or brick.*

Product Model	No. of wall base brkts	No. of set screws
2.5 x 2m	3	6



Power drill with drilling bit of Ø12



Tape Measure & Spirit Level



Screwdriver



Mallet



Wrench (wrenches of M10 and M12)

INSTALLATION PROCEDURE

Prior to Installation

Carefully unpack and release the bindings. You will need minimum two people to assist with the installation.

Remove and store the hardware in a safe place to avoid losing parts enclosed.

Beware of the sudden unfolding of any parts, especially the folding arms.

Read the assembly instructions carefully before installation.

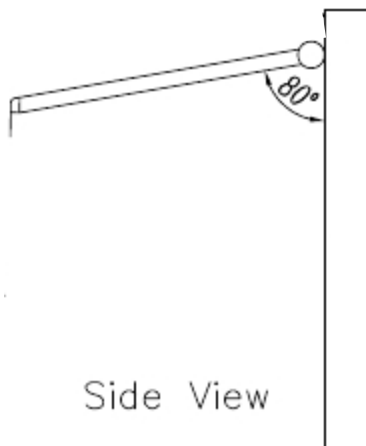
Check for missing components or damaged parts. Do not install the product if any parts are missing or damaged. Return to the store.

Never modify the construction or the design of the awning. Failure to follow the instructions can lead to personal injury or death.

Ensure the wall is strong enough and is suitable for the installation of the awning – must be a brick or concrete surface. **DO NOT INSTALL INTO THE MORTAR (AROUND BRICKS)**. The place of purchase will not be responsible for any damage to the property and the awning due to the weak support of the installation wall.

The brick or surface must be in a suitable condition to install this product. If unsure if this surface is suitable, please check with a professional tradesman.

**Please note that the awning pitch is set at 80 degrees – alteration of the pitch is not recommended.*



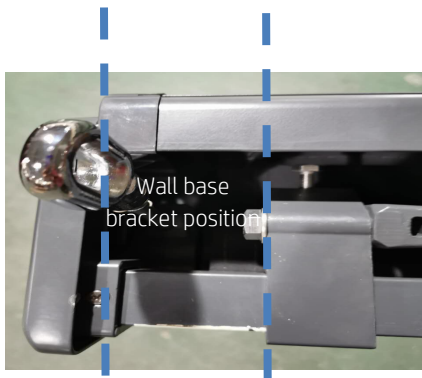
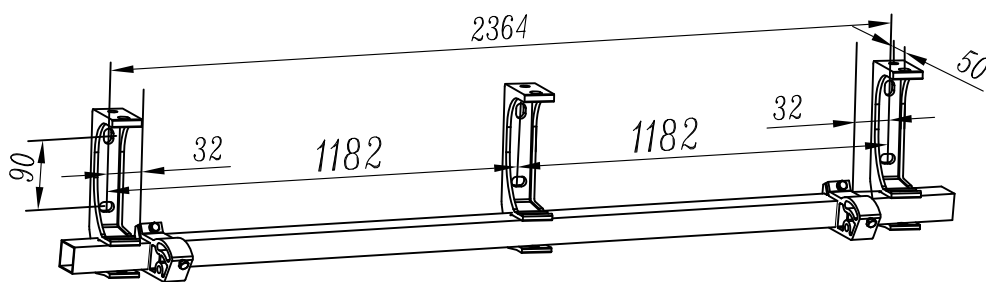
Installation of Wall Brackets

The holes of each group must be on the same line in horizontal direction and vertical direction.

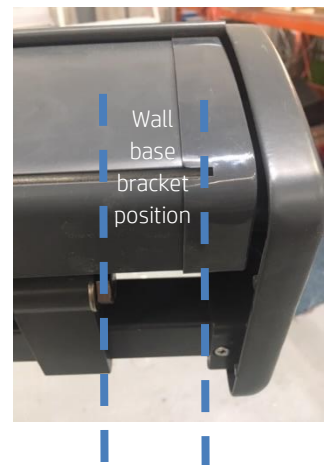
Mark the height on the wall (we recommend a minimum of 3 metres from the ground) and locate the drill hole positions for the wall brackets – see below.

POSITIONING THE BRACKETS

1. You will need to position the middle bracket in the centre position.
2. Once the middle bracket is fixed, measure from the middle of the centre bracket **1182** mm to the left (see diagram 1).
3. Next, measure from the middle of the centre bracket **1182** mm to the right.



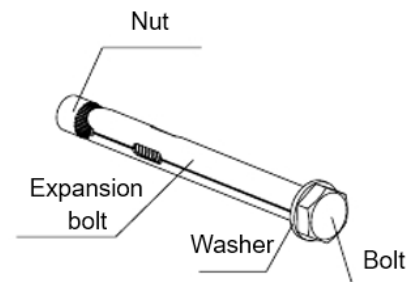
Measurement has been taken from inside edge of wall base bar bracket as shown on image



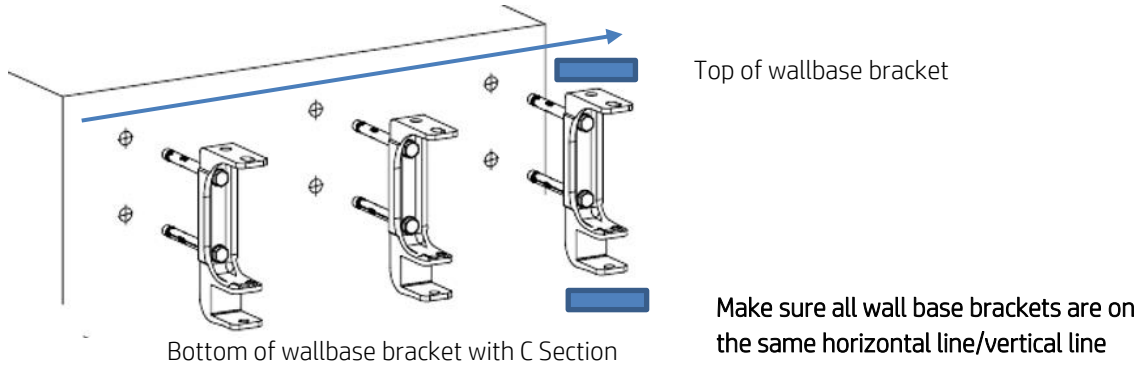
Drill the holes with a masonry drill, the depth of the hole needs to be a minimum of 110mm.

Please note that the depth of the holes drilled will leave the threaded part of the central bolt extruding from the wall. This is necessary to fit the brackets.

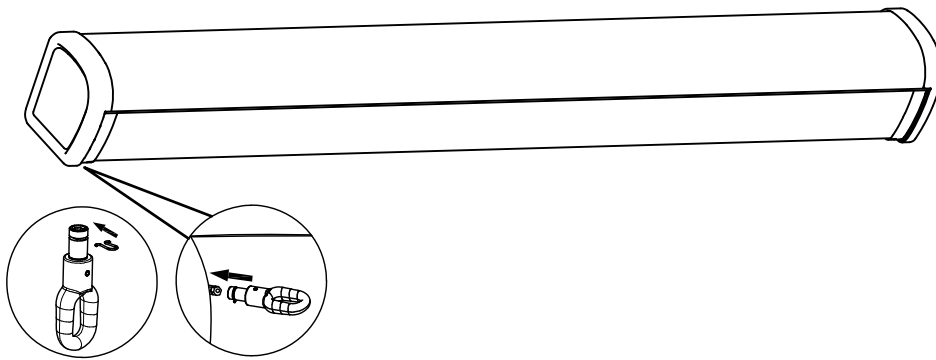
Note: If the nut and washer have separated from the expansion bolt, put them back together as per diagram before fixing them into the brick or concrete surface.



Put the expansion bolts through the wall bracket, then plug the expansion bolts into the above-mentioned hole, check and ensure all wall base brackets are aligned on the same horizontal line and vertical line before tightening all nuts.



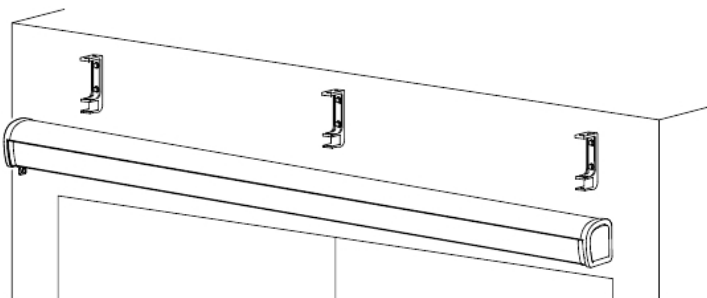
Please follow the below instruction to install the HOOK



Installation of Awning to Wall Bases

(2 persons minimum for this process)

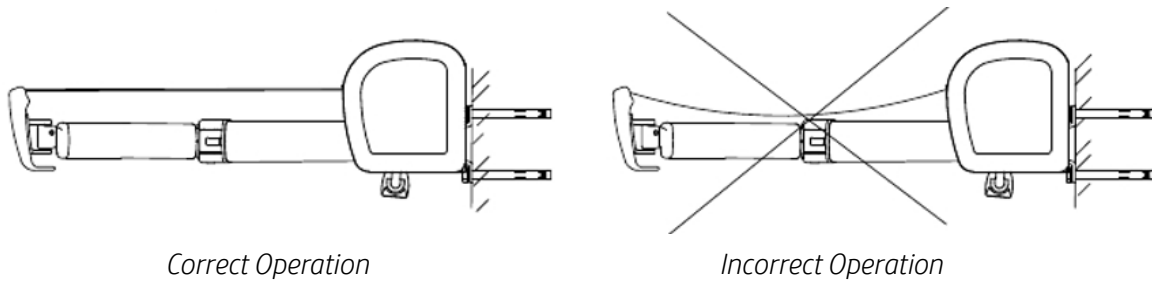
Remove the bolts from the front of the wall base brackets. Install the awning to the wall base brackets by positioning the square torsion bar to the wall base bracket bottom C Section. We recommend you manually wind the awning out using the swing hand hook/crank handles approx. 400mm so you can position the bolts and nuts through the C Section on the wall base bracket. Lock the awning in place by replacing the bolts and nuts on wall base brackets (refer to photo below). Tighten the nuts to ensure the awning is attached to wall base brackets securely.



Bolt and nut on wall base bracket

Correct Operation

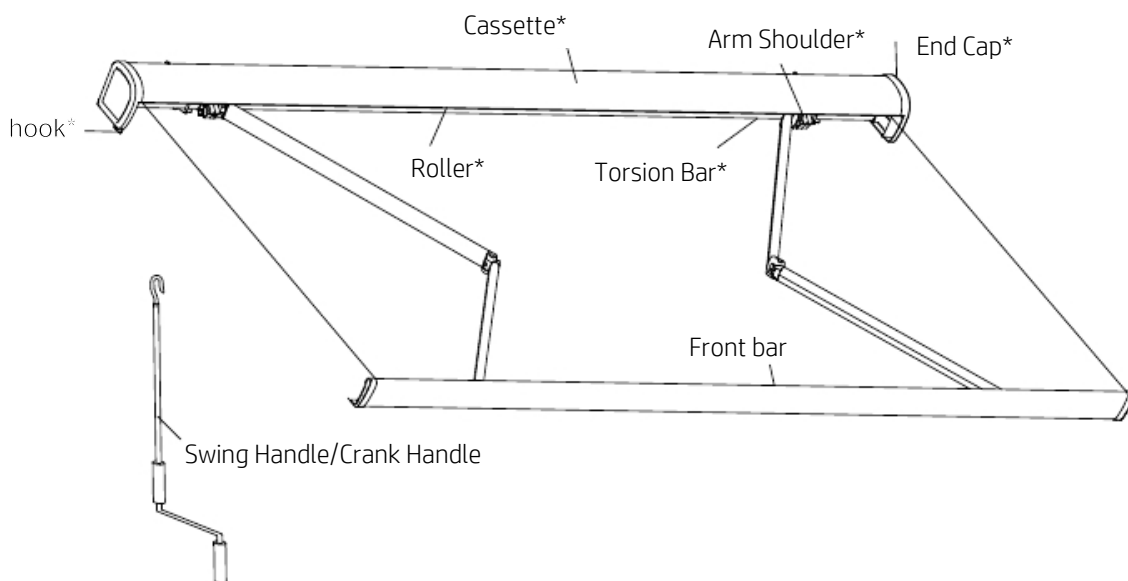
Note: The fabric must be taut during operation, otherwise this may result in water accumulating on the fabric. Please operate in the correct method shown in the below diagram.



Maintenance

- Always close the awning on windy days or heavy rain and when you are not using it.
- Please do not unpick and wash the fabric.
- Check the overall installation and all the fasteners regularly, especially at the beginning of a new season to ensure fasteners are tightened and in good condition.

Names of Parts



**When these parts are damaged please don't use the product until they are replaced.*