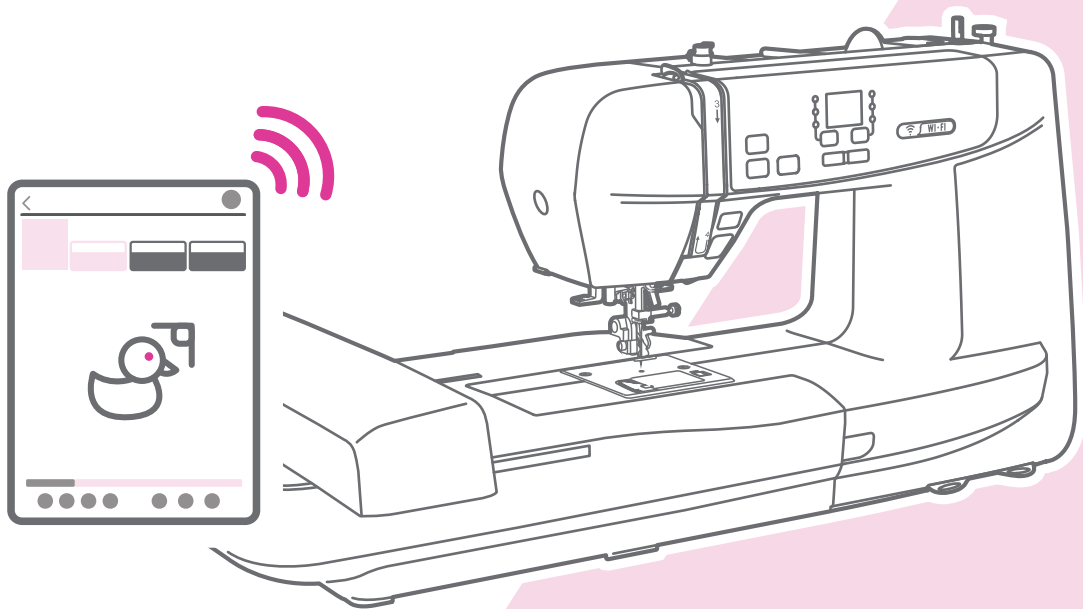


semco iPINK

Instruction Manual



iPINK



Download EZ Design software, manual and tutorial videos through the website:
https://ezsupport.info/guide/CH02AX_iPink.php

Important safety instructions

When using an electrical appliance, basic safety should always be followed, including the following:

Read all instructions before using this machine.

DANGER - To reduce the risk of electric shock:

1. An appliance should never be left unattended when plugged in.
2. Always unplug this appliance from the electric outlet immediately after using and before cleaning.

WARNING - To reduce the risk of burns, fire, electric shock, or injury to persons:

1. Read the instruction carefully before you use the machine
2. Keep the instructions at a suitable place close to the machine and hand it over if you give the machine to a third party.
3. Use the machine only in dry locations.
4. Never leave the machine unattended with children or elderly people as they may not be able to estimate the risk.
5. This appliance can be used by children aged from 8 years and above and persons with reduced physical, sensory or mental capabilities or lack of experience and knowledge if they have been given supervision or instruction concerning use of the appliance in a safe way and understand the hazards involved.
6. Children shall not play with the appliance.
7. Cleaning and user maintenance shall not be made by children without supervision.
8. Always switch off the machine if you carry out preparation for work (change the needle, feed the yarn through the machine, change the footer, etc.).
9. Always unplug the machine if you leave it unattended, to avoid injury by expediently switch on the machine.
10. Always unplug the machine if you carry out maintenance (oiling, cleaning).
11. Don't use the machine if it's wet or in humid environment.
12. Never pull at the cord, always unplug the machine by gripping the plug.
13. If the LED lamp is damaged or broken, it must be replaced by the manufacturer or it's service agent or a similarly qualified person, in order to avoid a hazard.
14. Never use the machine if the air vents are blocked, keep the air vents of the

machine free from dust, fusel and leftovers.

15. The sound pressure level at normal operation is smaller than 75dB(A).
16. Do not dispose of electrical appliances as unsorted municipal waste, use separate collection facilities.
17. Contact your local government for information regarding the collection systems available.
18. If electrical appliances are disposed of in landfills or dumps, hazardous substances can leak into the groundwater and get into the food chain, damaging your health and well-being.
19. When replacing old appliances with new ones, the retailer is legally obligated to take back your old appliance for disposal at least for free of charge.
20. The appliance is not to be used by persons (including children) with reduced physical, sensory or mental capabilities, or lack of experience and knowledge, unless they have been given supervision or instruction. (For outside Europe)
21. Children being supervised not to play with the appliance. (For outside Europe)

SAVE THESE INSTRUCTIONS

This machine is intended for household use only.

Be sure to use the machine in the temperature range from 5°C to 40°C.
If the temperature is excessively low, the machine can fail to operate normally.

To carry the machine, hold the carrying handle with your hand, and support the machine with the other hand.

Contents

Machine Introduction

Principal parts of the machine	2
Embroidery unit overview	3
Accessories	3
Connecting machine to power source	4
Polarized plug information	4
Display instruction	5
Screen	5
Status Indicator	7

Machine Setup

Two-step presser foot lifter	9
Using the thread net	9
Winding the bobbin	10
Inserting the bobbin	12
Threading the upper thread	13
Replacing the needle	16
Matching needle/fabric/thread	17
Operation buttons	18

Embroidery Preparation

Embroidery quick guide	21
Important embroidery information	23
Embroidery threads	23
Bobbin threads	23
Stabilizer	24
Adhesive Spray	25
Iron-on interfacing	26
Embroidery hoop overview	27
Preparing the embroidery hoop	27
Attaching a stabilizer to the fabric	27
Hooping the fabric	28
Use the quick release device	29
Using embroidery sheet	30

Embroidery Process

Step 1. Preparation for embroidery	33
Step 2. Starting the connection	34
Embroidery software installation	34
Step 2-A. Connection mode: Router	35
The first time to set up	35
Connection	36
Step 2-B. Connection mode: Point-to-point	37
Step 3. Import/edit embroidery pattern	38
Importing files on iOS	38
Importing files on Andriod	38
Location of imported files on App	38
Step 4. Install the embroidery hoop	39
Step 5. Begin to embroider	40

Load a Design after interruption	41
Adjusting the embroidery thread tension	42
Step 6. Finish the embroideryRemove	43
embroidery hoop	43
Remove embroidery unit	43

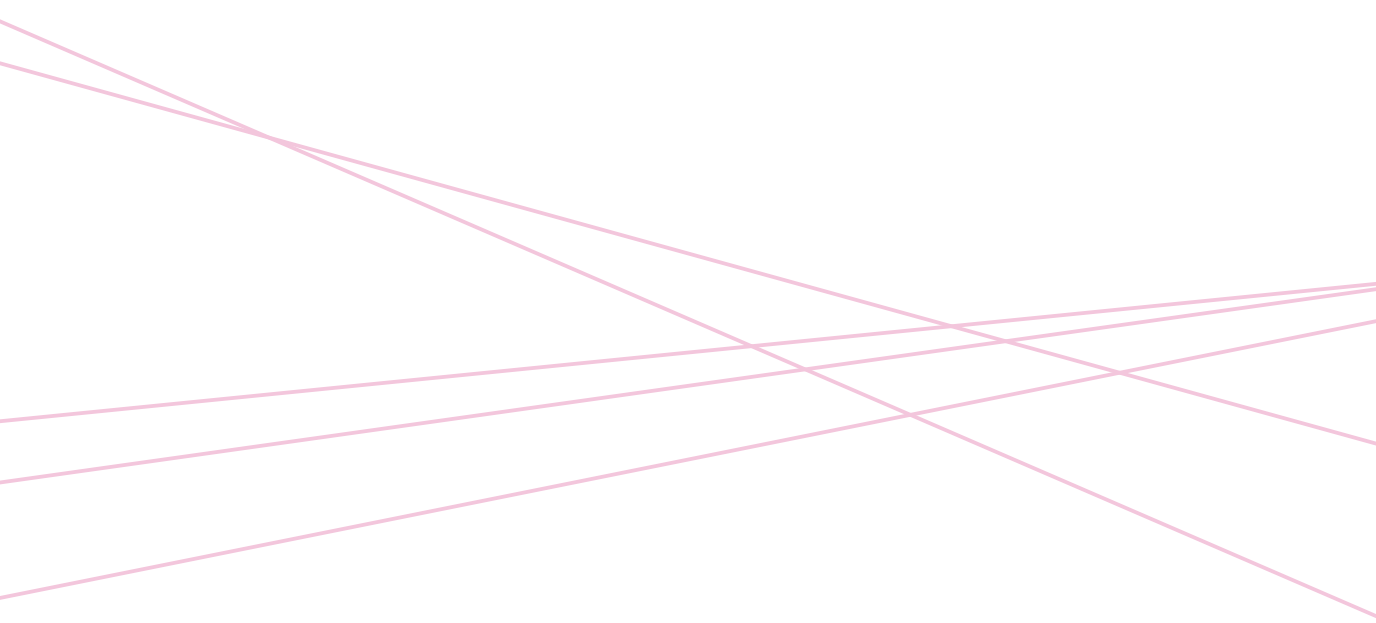
Maintenance and Trouble shooting

Maintenance.....	45
Clean the machine surface.....	45
Clean the hook	45
Warning Function	46
Warning beeping sound.....	46
Instruction message display	46
Trouble shooting guide.....	47

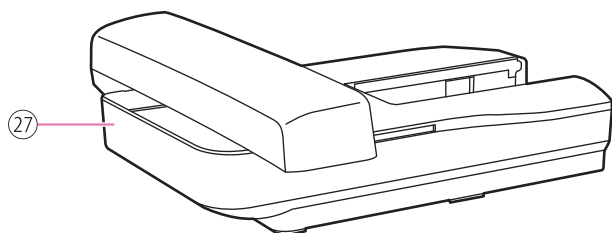
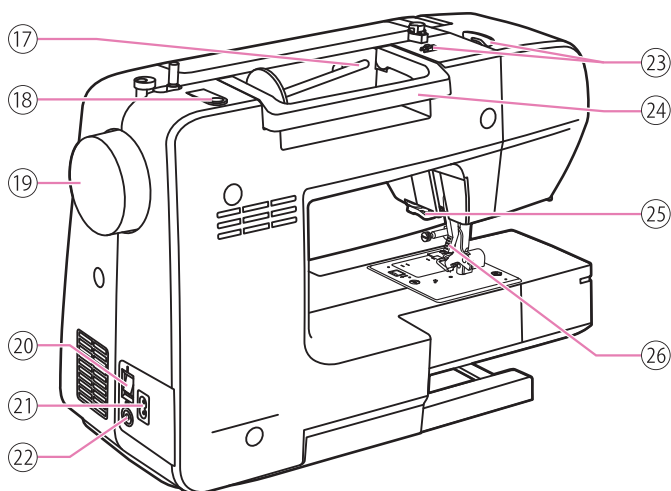
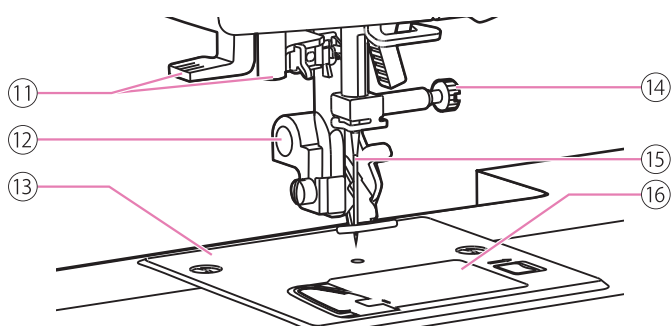
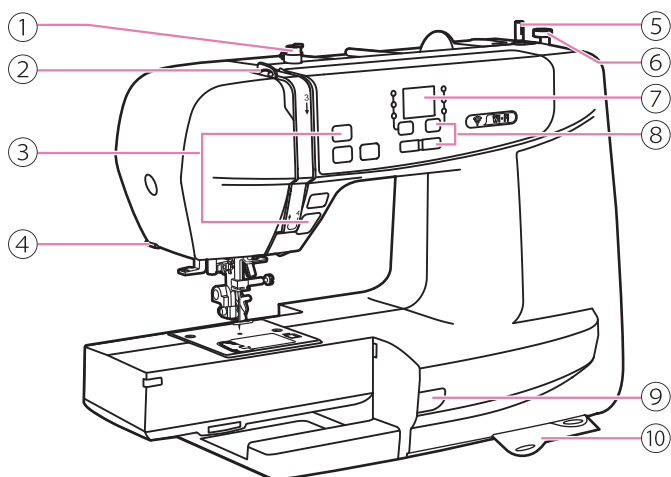
Embroidery pattern chart

Embroidery pattern chart	52
Embroidery letter chart.....	55

Machine Introduction

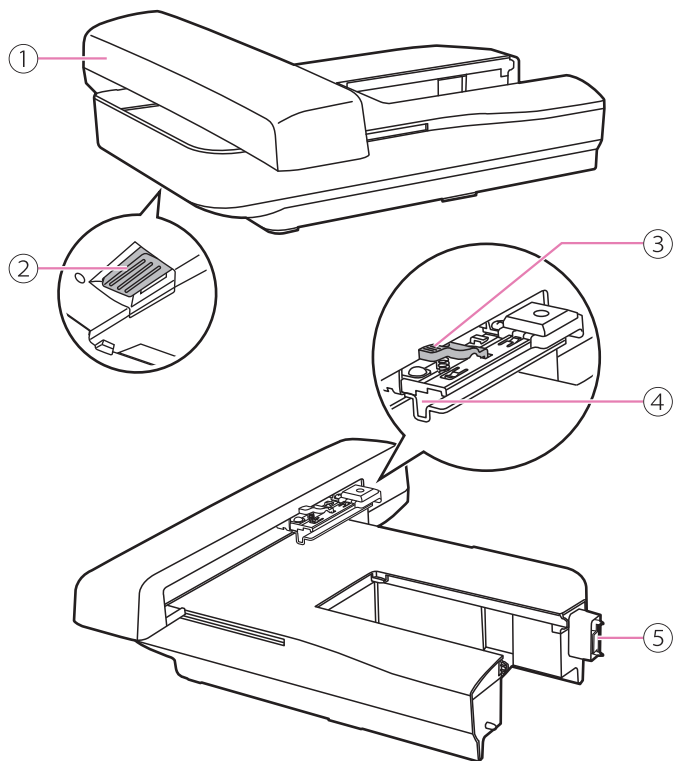


Principal parts of the machine



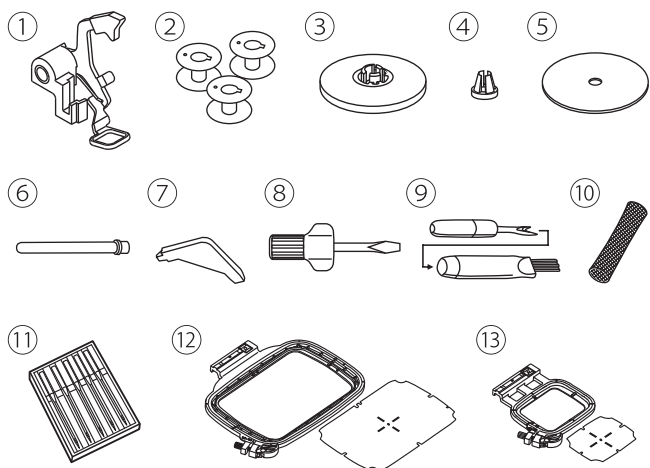
- ① Bobbin thread guide
- ② Take-up lever
- ③ Operation buttons
- ④ Thread cutter
- ⑤ Bobbin winder spindle
- ⑥ Bobbin winder stopper
- ⑦ Screen
- ⑧ Operation buttons
- ⑨ Status indicator
- ⑩ Quick reference plate
- ⑪ Needle threader
- ⑫ Presser foot
- ⑬ Needle plate
- ⑭ Needle clamp screw
- ⑮ Needle
- ⑯ Bobbin cover
- ⑰ Horizontal spool pin
- ⑱ Second spool pin hole
- ⑲ Handwheel
- ⑳ Main power switch
- ㉑ Power cord socket
- ㉒ Firmware update socket
- ㉓ Upper thread guide
- ㉔ Handle
- ㉕ Thread cutter
- ㉖ Presser foot lifter
- ㉗ Embroidery unit

Embroidery unit overview



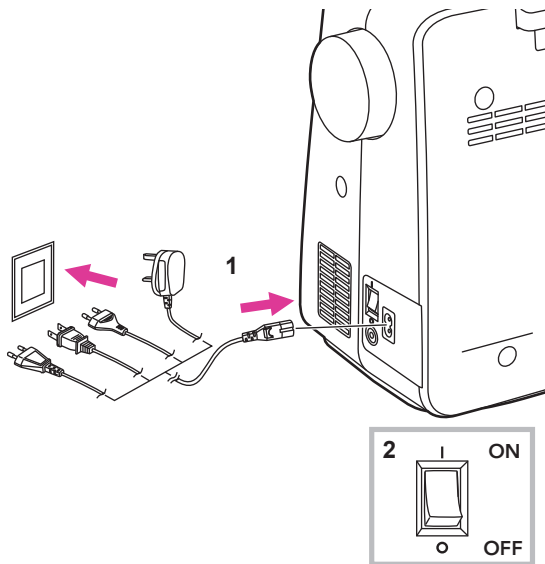
- ① Embroidery carriage
- ② Embroidery unit release button
- ③ Hoop-securing lever
- ④ Embroidery hoop holder
- ⑤ Embroidery unit detection device

Accessories



- ① Embroidery foot
- ② Bobbin (3x)
- ③ Spool holder (Large)
- ④ Spool holder (Small)
- ⑤ Spool pin felt
- ⑥ Second spool pin
- ⑦ L-screwdriver
- ⑧ Screwdriver
- ⑨ Seam ripper/brush
- ⑩ Thread net
- ⑪ Pack of needles
- ⑫ Embroidery set (120*180mm)
- ⑬ Embroidery set (50*70mm)

Connecting machine to power source



⚠ Attention

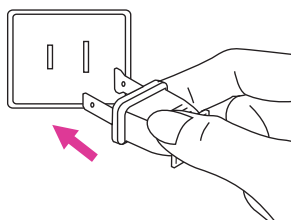
Always make sure that the machine is unplugged from power source and the main switch is off ("O"), when the machine is not in use and before inserting or removing parts.

Before connecting the power supply, make sure that the voltage shown on the rating plate is conforming with your main power.

Put the machine on a stable table.

1. Connect the machine to a power source as illustrated.
2. Turn the power switch to on ("I").

The sewing lamp will light up when the switch is turned on.



❖ Polarized plug information

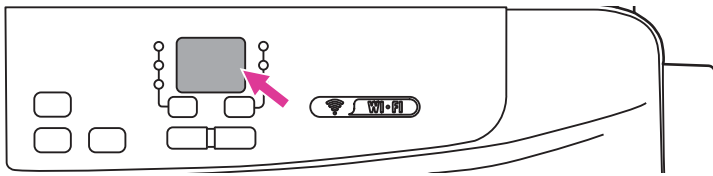
This appliance has a polarized plug (one blade is wider than the other), to reduce the risk of electrical shock; this plug will fit in a polarized outlet only one way. If the plug does not fit fully in the outlet, reverse the plug. If it still does not fit, contact a qualified electrician to install the proper outlet. Do not modify the plug in any way.





Note


Consult a qualified electrician if in doubt as to connect the machine to the power source.





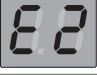

Display instruction

❖ Screen



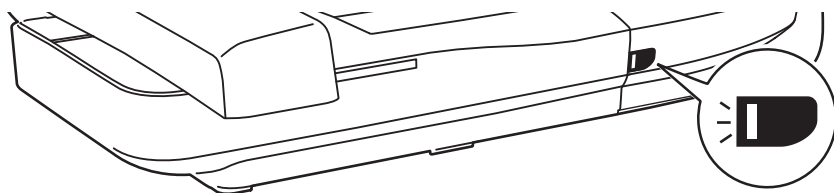
Operation mode		
Screen	Description	Page
	<p>Winding the bobbin</p> <p>Bobbin winder spindle is on the right for bobbin winding. Push the spindle to the left for sewing.</p> <p>Please refer to "Winding the bobbin" chapter for more information.</p>	10-12
	<p>Router mode (AP) starting</p> <p>Under this mode, the machine connects with the mobile device thru the router. Once the setting was done, the machine will connect with the router automatically next time.</p> <p>Please refer to "Starting the connection" "Connection mode: Router" chapter for more information.</p>	34-36
	<p>Point-to-point mode starting</p> <p>Under this mode, the machine connects with the mobile device directly, and the internet access is not available for the mobile device during the connection.</p> <p>Please use this mode when the wifi service is not available or its quality is not well.</p> <p>Please refer to "Starting the connection" "Connection mode: Point-to-point" chapter for more information.</p>	34,37
	<p>Machine connected with tablet devices</p> <p>Please refer to "Starting the connection" "Connection mode: Router" "Connection mode: Point-to-point" chapter for more information.</p>	34-37

Error messages		
Screen	Description	Page
	<p>Upper thread error</p> <p>The upper thread is broken or running out soon.</p> <p>Please change and re-threading the upper thread. Please refer to "Threading the upper thread" chapter for more information.</p>	13-15

	<p>Lower thread error</p> <p>The lower thread is broken or almost running out, please change and refill the lower thread.</p> <p>Please refer to "Winding the bobbin" and "Inserting the bobbin" chapters for more information.</p>	<p>10-12</p>
	<p>Motor overload protection</p> <p>The motor is overloaded due to the jammed threads or the fabrics are too thick to be penetrated.</p>	<p>46</p>
	<p>Embroidery unit is not installed</p> <p>Please install the embroidery unit.</p>	<p>33</p>
	<p>Presser foot lifter – wrong position</p> <p>Please check if the presser foot lifter is at the right position. To lower the lifter when sewing and raise it while the embroidery hoop is resetting.</p>	<p>9</p>
	<p>Embroidery hoop is not installed or should be removed</p>	<p>39,43</p>
	<p>The router cannot connect with the wifi. Please check the wifi service</p> <p>The connection failed because the router might not be in operation or the password is not correct.</p> <p>A.If it was the first time for setting, please check if the password is correct.</p> <p>B.If the router mode had already been set up successfully, please check if the router works normally and is well connected.</p>	<p>35</p>

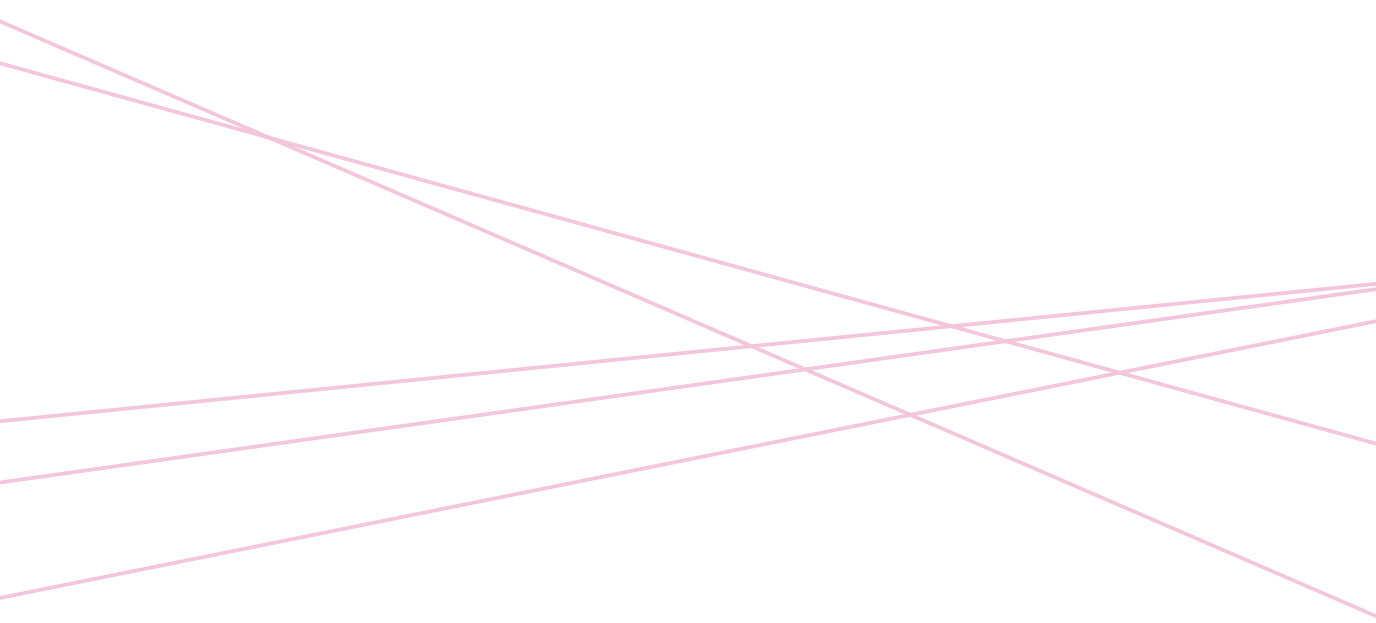
If the problem is still not solved, please contact your local dealer.

❖ Status Indicator

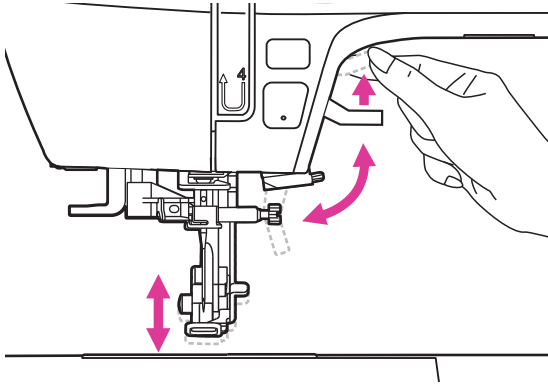


Display	Description	
Green	<p>When the upper thread breaks, the motor will stop. Green light will flash 3 times then back resume to constantly bright status.</p> <p>When remaining amount of bobbin thread is low, the motor will stop. Green light will flash 3 times then back resume to constantly bright status.</p>	<p>Constantly bright: Machine is ready to embroider; long press the start/stop button to start embroidering immediately.</p>
Yellow	<p>-</p>	<p>Machine is not able to sew.</p>
Red	<p>Motor is overloaded or the shaft locked down.</p> <p>Once the problem solved, the lighting will resume to previous condition.</p>	<p>-</p>

Machine Setup



Two-step presser foot lifter



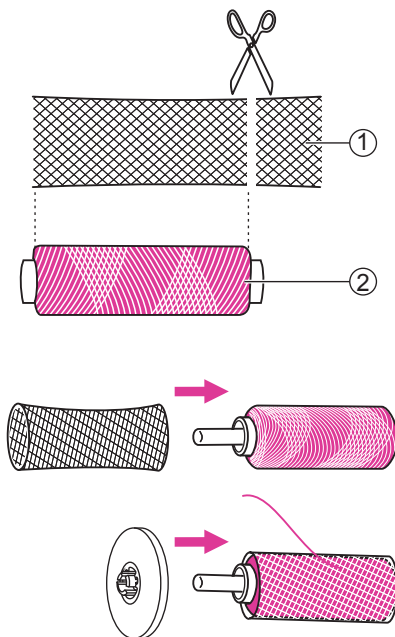
The presser foot lifter is to raise or lower your presser foot.

When sewing multi-layers or thick fabrics, the presser foot can be further raised up manually to allow enough space for your sewing work.

Note

The needle must always be at the highest position.

Using the thread net



Note

In order to prevent tangling of the thread, please use a thread net. The net is especially useful when using large or loose wound spools.

Reduce the thread tension if necessary.

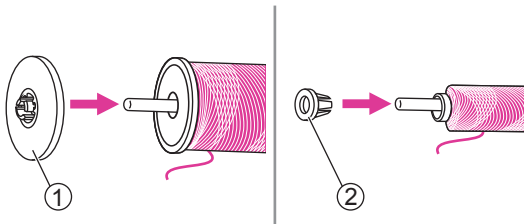
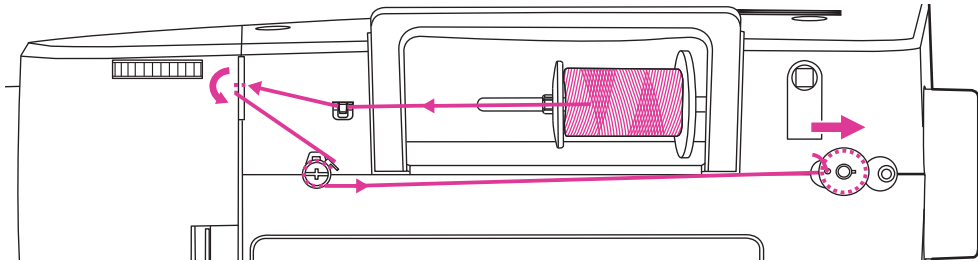
When using special threads which spin quickly off the thread spool, attach a net to the spool before using.

If the net is too long, cut the thread net to match the size of the spool.

- ① Thread net
- ② Thread

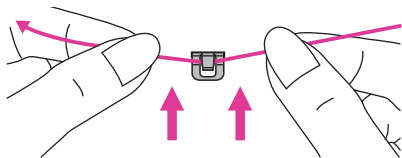
Winding the bobbin

Please following the number order and see the corresponding illustrations below.

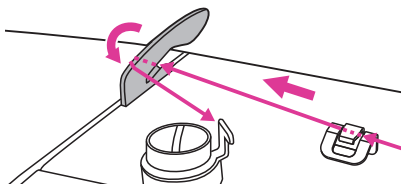


1. Place the thread and spool holder onto the spool pin. For better sewing quality, choose a proper size of the spool holder for the thread and attach it next to the spool.

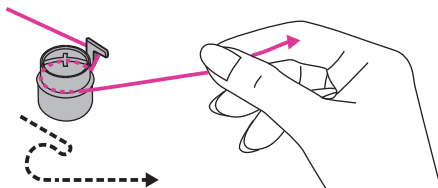
- ① Large spool holder
- ② Small spool holder



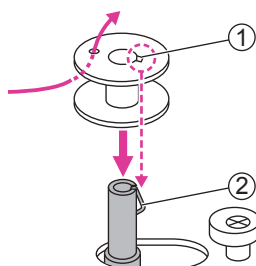
2. Draw the thread from the spool and place the thread in between the upper thread guide.



3. Guide the thread ahead and pull the thread through the pre-tension spring as illustrated.

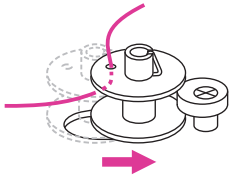


4. Wind the thread counter-clockwise around the tension discs.

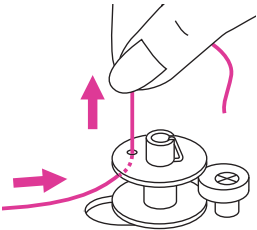


5. Place the thread end through one of the inner holes as illustrated and place the empty bobbin on the bobbin winder spindle. Then align the notch with bobbin winder spindle spring.

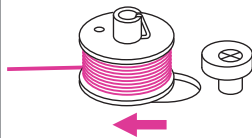
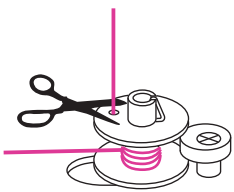
- ① Notch
- ② Bobbin winder spindle spring



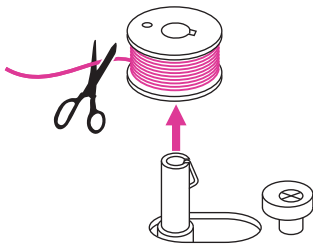
6. Push the bobbin to the right. When the bobbin winder spindle is pushed to the right, the screen will show "SP".



7. Hold the thread tail securely in one hand. Long press the start/stop button to start winding the bobbin.



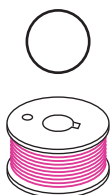
8. After the bobbin has wound a few rounds, stop the machine and cut the thread near the hole of the bobbin. Continue filling the bobbin until it is full. Once the bobbin is full, it rotates slowly. Press the start/stop button to stop the machine, then push the bobbin winder spindle to the left.



9. Cut the thread and then remove the bobbin.

Note

When the bobbin winder spindle is pushed to the right position, it's in "bobbin winding" mode and the machine is not allowed to sew and the handwheel will not be able to turn. To start sewing, push the bobbin winder spindle back to the left.



Note

Use a bobbin that has been correctly wound with thread, otherwise the needle may break or the thread tension will be incorrect.

Inserting the bobbin

⚠ Attention

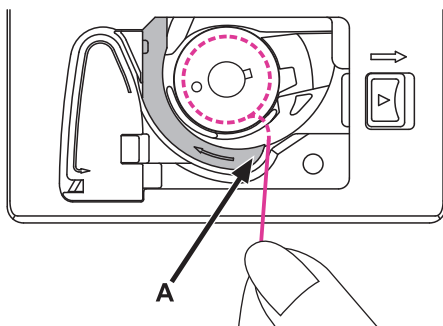
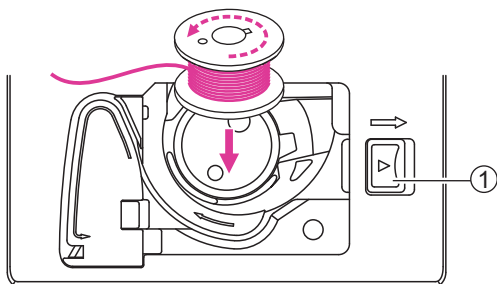
Turn the power switch to off ("O").

When inserting or removing the bobbin, the needle and the presser foot must be fully raised.

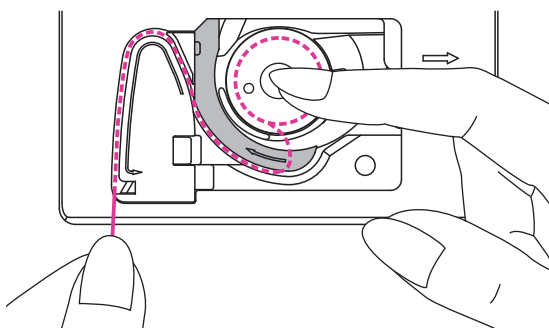
Open the bobbin cover by pushing the release button to the right.

① Release button

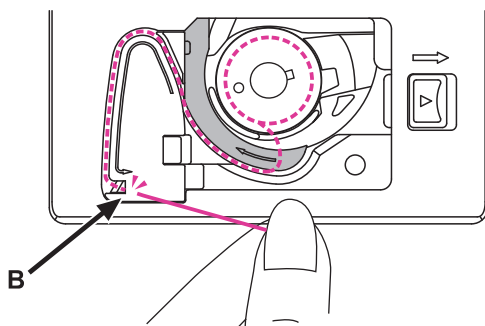
Insert the bobbin in the bobbin case with the thread running in a counter-clockwise direction (arrow).



Pull the thread through the slit (A).



With a finger hold gently on top of the bobbin, please follow the arrow markings and draw the thread into the bobbin thread guide.

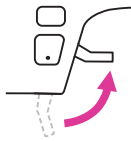
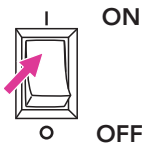
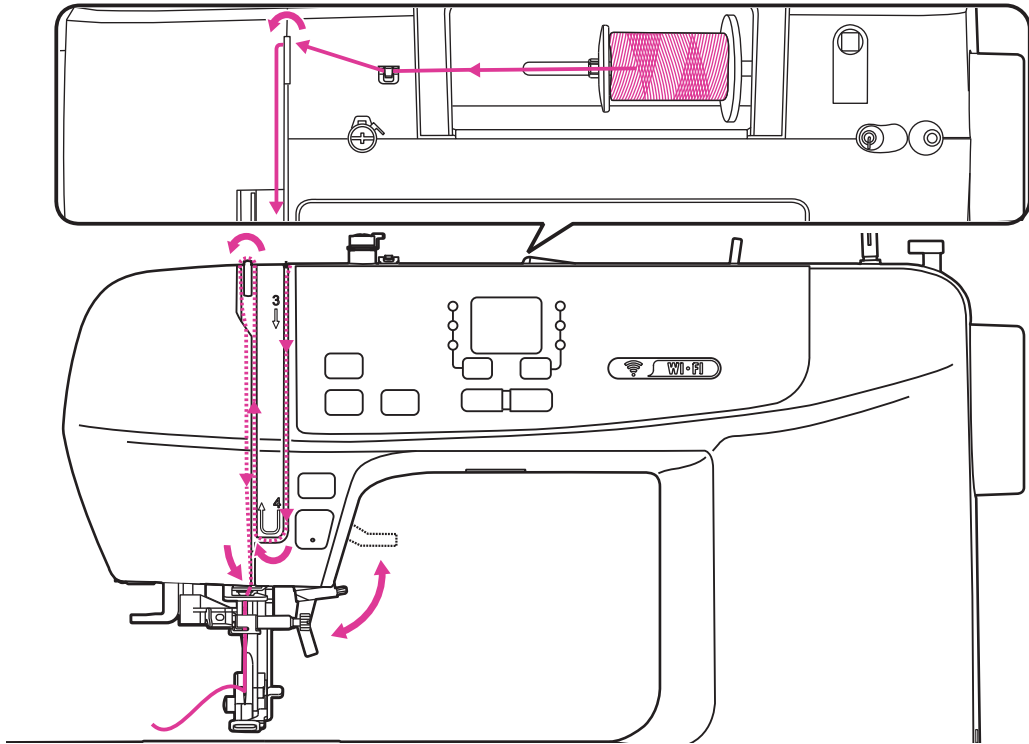


To cut off excessive thread, pull it to the cutter at point (B).

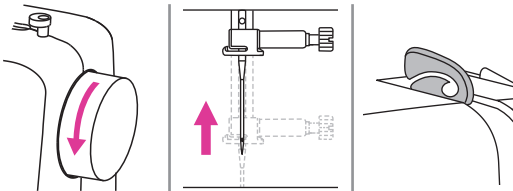
Close the bobbin cover.

Threading the upper thread

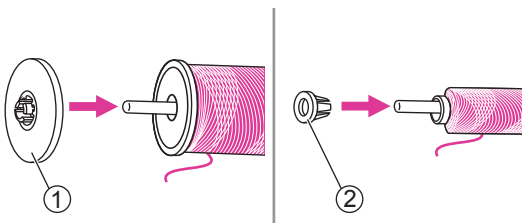
Please following the number order and see the corresponding illustrations below. It is important to carry out the threading correctly to get a quality sewing. Otherwise several problems will occur.



1. Turn the power switch to on ("I"). Raise the presser foot lifter.

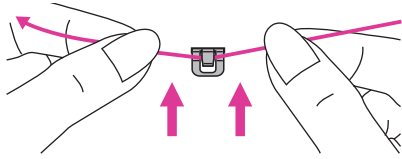


2. Turn the handwheel towards you to bring the needle and take-up lever to highest position.

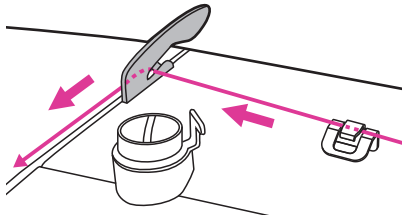


3. Place the thread and spool holder onto the spool pin. For better sewing quality, choose a proper size of the spool holder for the thread and attach it next to the thread.

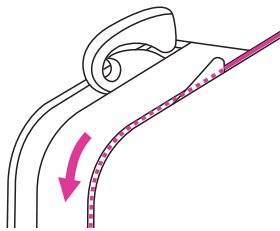
- ① Large spool holder
- ② Small spool holder



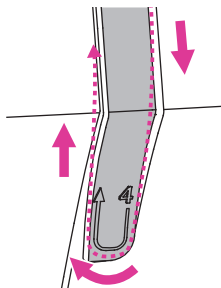
4. Draw the thread from the spool and place the thread in between the upper thread guide.



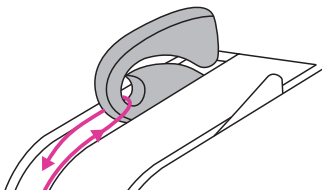
5. Guide the thread ahead and pull the thread through the pre-tension spring as illustrated.



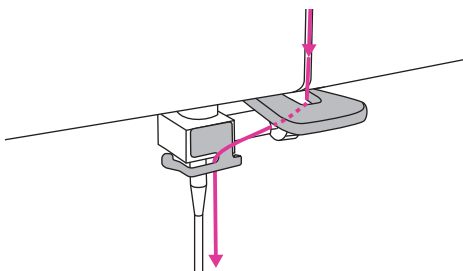
6. Continue to guide the thread into the silver discs to keep the thread in proper tension.



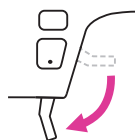
7. Pass the thread under the take-up spring then pull it upwards as arrow marks illustrated.



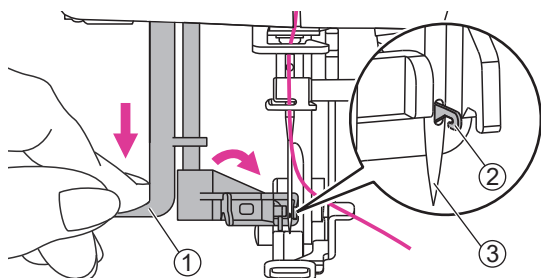
8. Pull the thread to the top then pass the thread through the slotted eye of the take-up lever. Guide the thread down afterwards.



9. Pass the thread behind the flat, horizontal thread guide. Use the needle threader to thread the needle.

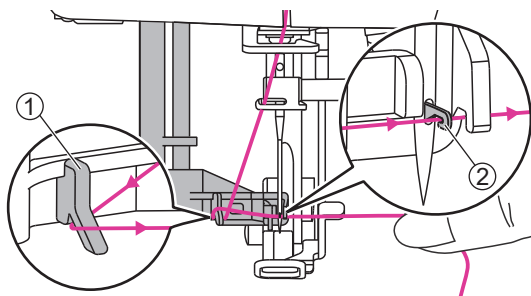


10. Lower the presser foot lifter.



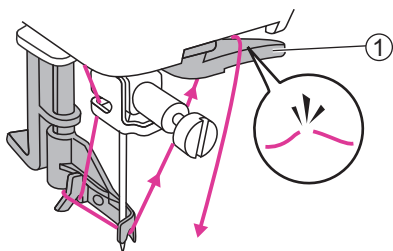
11. Pull down the lever to the very bottom. When heard a "click" sound, it will be on the right position to do the needle threading and the hook pin passes through the needle eye.

- ① Lever
- ② Hook pin
- ③ Needle



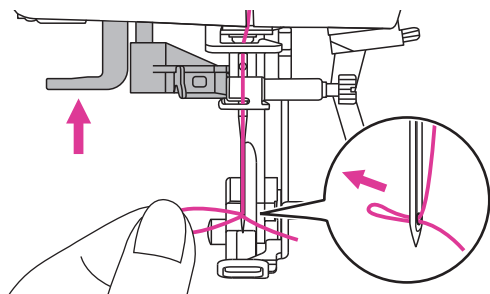
12. Pass the thread around the thread guide. Take the thread in front of the needle and make sure it is under the hook pin.

- ① Thread guide
- ② Hook pin



13. To cut the excess thread, take thread end and gently slip it over the thread cutter located on the right of the needle.

- ① Thread cutter



14. Raise the lever, the hook will rotate and pass the thread through the needle eye to form a loop.

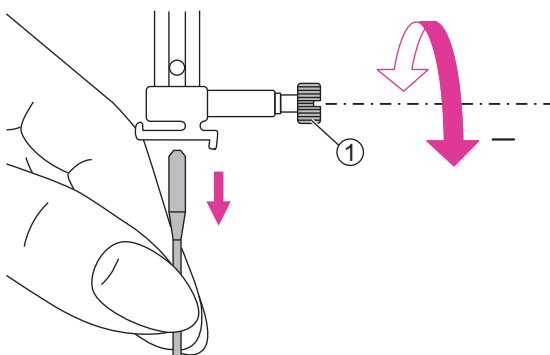
Pull the thread through the needle eye to finish threading.

Note

Your machine is threaded and ready for sewing, follow the instructions on "Starting to sew" chapter to start sewing.

Replacing the needle

Change the needle regularly, especially when it shows signs of wear or if it causes problems.

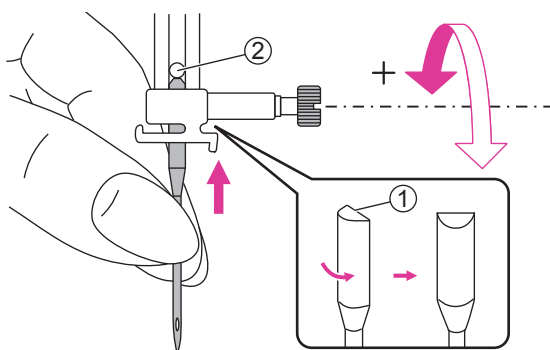


⚠ Attention

Turn the power switch to off ("O") when carrying out below operations!

Turn the handwheel toward you to raise the needle then loosen the needle clamp screw to remove the needle.

① Needle clamp screw

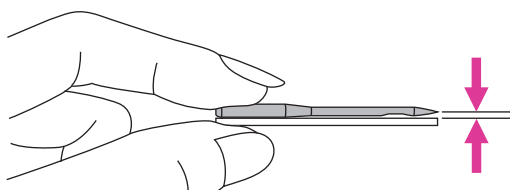


When inserting a new needle, keep the flat side of the shaft to the back.

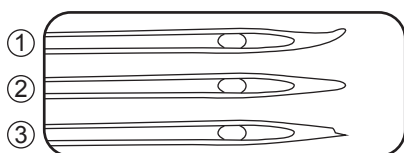
Push the needle into the clamp until it touches the pin and stops. Then secure it by tightening the needle clamp screw.

① Flat side of the shaft

② Pin



Needles must be in perfect condition.



Problems can occur with:

① Bent needles

② Blunt needles

③ Damaged points

Matching needle/fabric/thread

Needle Size	Fabrics
65/9 - 75/11 	Lightweight fabrics- thin cottons, voile, serge, silk, muslin, Qiana, interlocks, cotton knits, tricot, jerseys, crepes, woven polyester, shirt & blouse fabrics.
80/12 	Medium weight fabrics- cotton, satin, kettleclote, sailcloth, double knits, lightweight woolens.
90/14 	Medium weight fabrics- cotton duck, woolen, heavier knits, terrycloth, denims.
100/16 	Heavyweight fabrics- canvas, woolens, outdoor tent and quilted fabrics, denims, upholstery material (light to medium).

Thread Selection

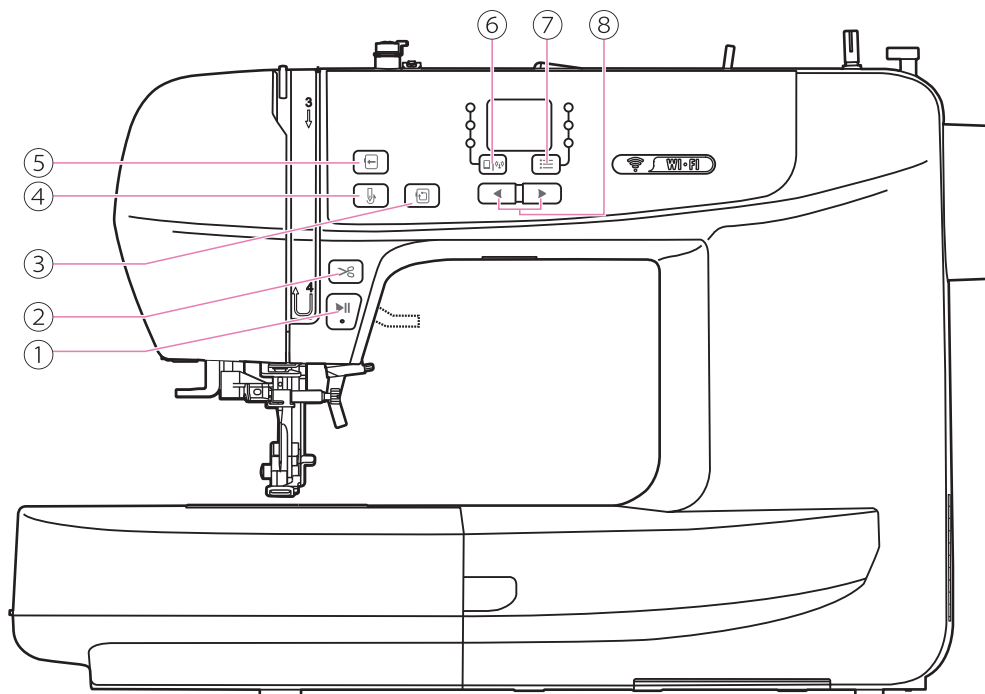
Thread and fabric quality is important for sewing. We suggest choosing suitable and good quality threads to sew.

- Cotton thread has the advantage of natural fiber. It is suitable for cotton fabrics.
- Mercerized cotton thread has a silky luster. It is with high fiber strength. It's not easy to break during washing.
- Polyester thread is with high tensile strength, hard wearing and colorfast fibers. It is suitable for all type of fabrics.
- Rayon thread is a brilliant sheen. It is low fiber strength, smooth and soft. It is suitable for light and soft fabrics.

Note

1. In general, fine threads and needles are used for sewing fine fabrics, thicker threads and needles are used for sewing heavy fabrics.
2. Always test thread and needle size on a small piece of fabric which will be used for actual embroidering.
3. Use a stabilizer or place a backing for fine or stretchy fabrics, and select the correct presser foot.
4. It is recommended that a 90/14 needle should be used when embroidering on heavyweight fabrics or stabilizing products (for example, denim, puffy foam, etc.). A 75/11 needle may bend or break, which could result in injury.

Operation buttons



1. Start/stop button

Long press the start/stop button to start machine running. Press the start/stop button again to stop machine.



2. Thread cutter button

Press this button, the machine will trim the thread.



3. Check motif size button

After the embroidery pattern has been transferred to the machine, press the button to detect embroidery area.



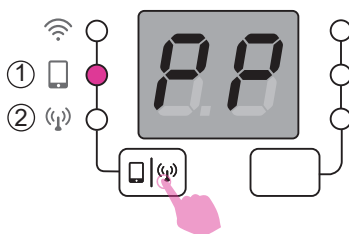
4. Bring up the bobbin thread button

Press the button to bring up the bobbin thread.



5. Hoop relocator button

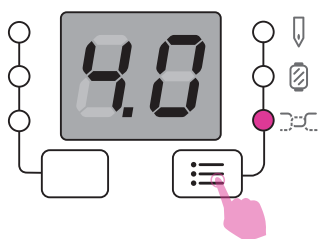
Press this button to move the embroidery carriage to left side, and it will be easier for you to change the thread. Press the button again, the embroidery carriage will be back to the original position.



6. Connection mode button

Press the connection mode switch button to change to the point-to-point mode or router mode.

- ① Point-to-point mode (PP)
- ② Router mode (AP)



7. Setting switch button

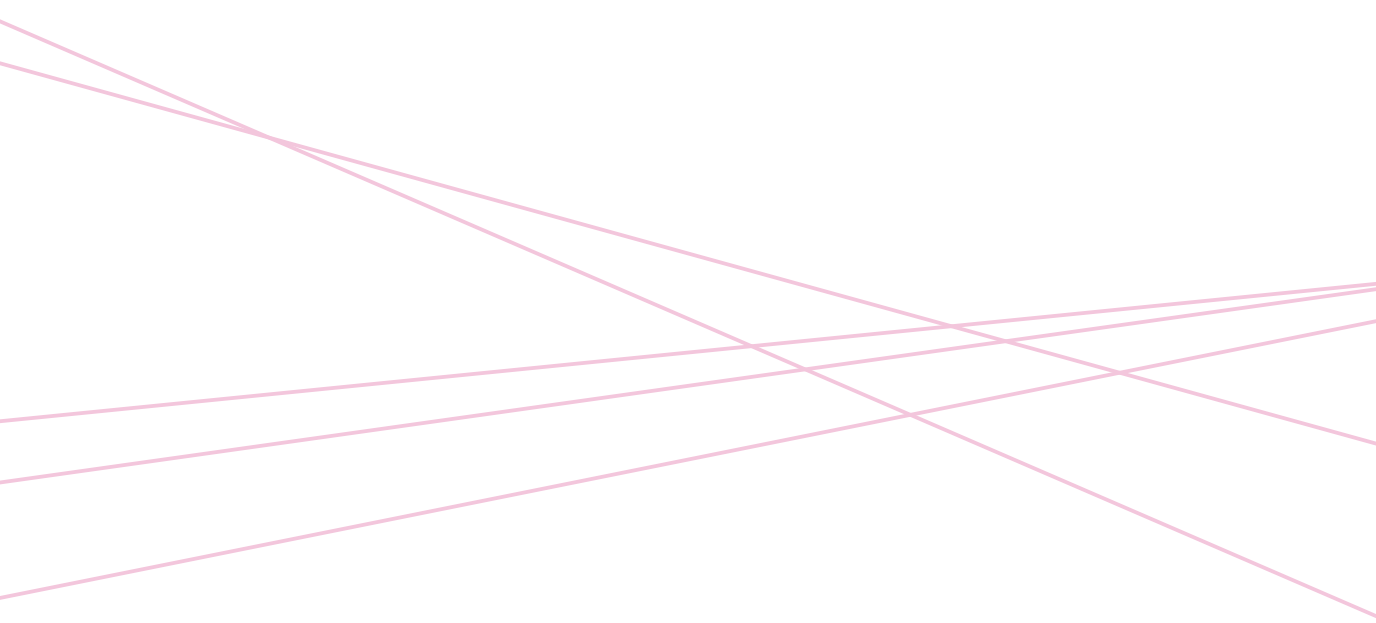
After the embroidery pattern have been transferred to the machine, press the button to check stitch count, color layer, and thread tension setting.



8. Value adjustment button

The button can modify the values for stitch count, color layer, and thread tension.

Embroidery Preparation



Embroidery quick guide

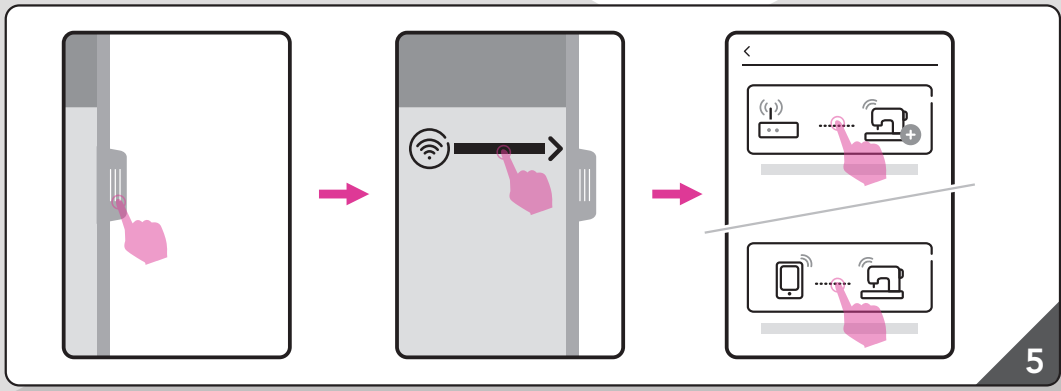
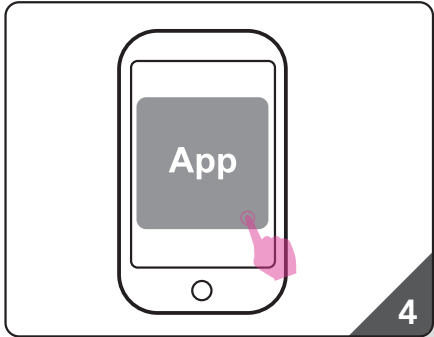
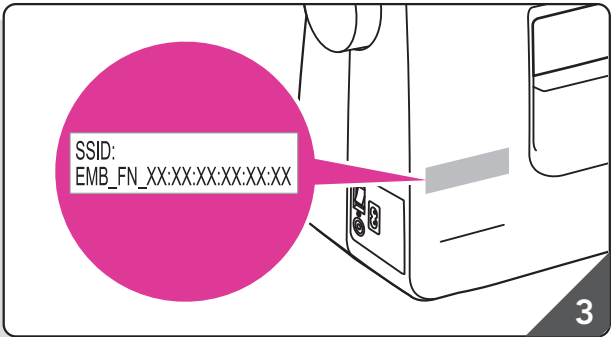
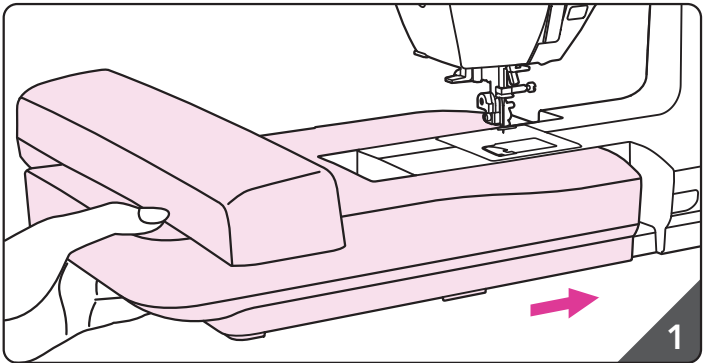
ANDROID APP ON Google play

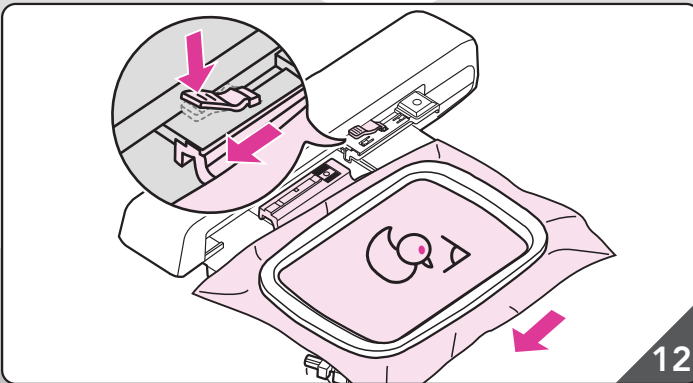
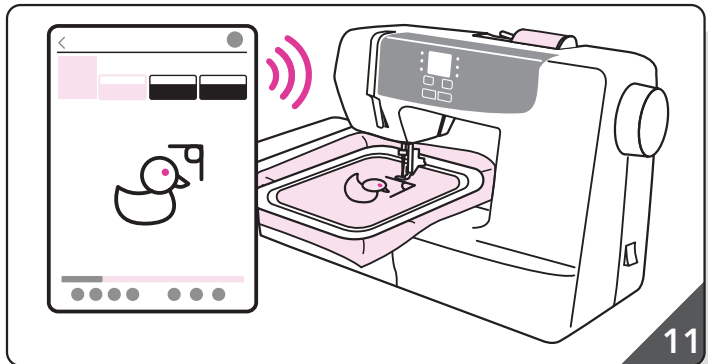
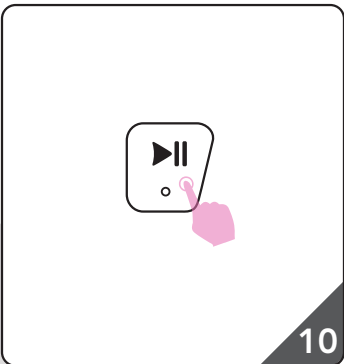
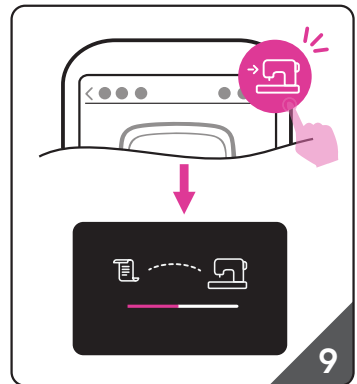
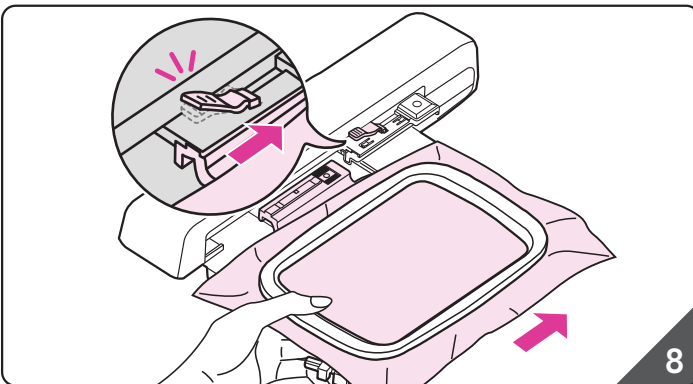
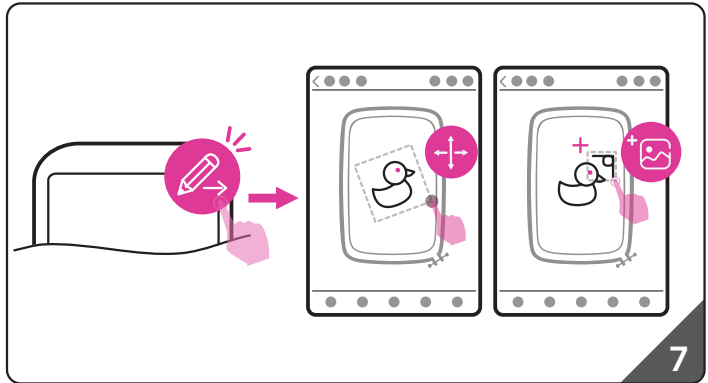
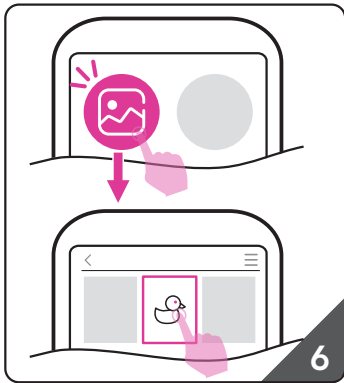
Download on the App Store

IPINK

IPINK

This section shows how to download the IPINK app. It includes logos for Google Play and the App Store, a search bar with 'IPINK' entered, and the IPINK app icon with a download arrow. A dashed line and a pencil icon are also present.





Important embroidery information

❖ Embroidery threads

A good quality thread is essential for embroidery to avoid poor stitch formation, needle break, etc.

Good embroidery performance will be effective by using 40wt glossy rayon or polyester embroidery threads as upper threads. They are available in a wide range of colors for beautiful embroidery.

Polyester threads

Polyester is a glossy thread with high tensile strength, hard wearing and colorfast features, which is suitable for all type of embroidery.

Rayon threads

Rayon is a soft viscose fiber with a brilliant sheen and suitable for fine, delicate embroidery, or items that will not receive excessive wear and tear.

Metallic threads

Metallic thread is a light to medium weight thread suitable for special effects in embroidery.

Reduce the thread tension when embroidering with metallic threads.

Embroidery needle

- Select correct thread size and needle size for embroidery.
- Replace the needle regularly.

Note

Please use the second spool pin when metallic or special material threads been used.

❖ Bobbin threads

Bobbin Fill (special bobbin thread)

Bobbin Fill is an especially soft and light polyester thread suitable for bobbin thread. This special bobbin thread ensures a steady thread tension and best performance of pieces of the upper and bobbin thread.

Darning and embroidery thread

Fine mercerized cotton thread which is suitable for embroidering on cotton.

Note

In most cases, bobbin thread for embroidery is either white or black. Some special cases require the same for upper and bobbin thread.

❖ Stabilizer

Tear-away stabilizers

- The excess is easily to tear away.
- One or more layers can be used.
- Available for light and thick materials.
- Before hooping, apply a little spray onto back side of fabric can bring more stability on performance.
- Carefully tear away excess stabilizer from the back of the project after completion.
- Ensure the embroidery pattern will not be deformed.
- Leaving the stabilizer under the larger embroidered areas.

Application:

- Available for all woven materials and non-stretch materials.

Cut-away stabilizers

- One or more layers can be used.
- Available for light and thick materials.
- Before hooping, apply a little spray onto back side of fabric can bring more stability on performance.
- Carefully cut away excess stabilizer from the back of the project after completion.
- Ensure the embroidery patten will not be deformed.
- Leaving the stabilizer under the larger embroidered areas.

Application:

- For all elastic materials.

❖ **Adhesive Spray**

Avoid using spray adhesive next to your embroidery machine.

- Keep about 25-30 cm distance while using the spray.
- Use the spray carefully.
- Spray the stabilizer and adhere to back side of material carefully and iron to prevent wrinkles.

Application:

- Keep stretch and knitted material in shape.
- Prevent layers of fabric slipping while smooth material been used.
- Appliques can be exactly positioned.
- Place cloth on stabilizer, e.g. pocket flaps.
- Do not place the napped materials(i.e. velvet) in the hoop. It may have hoop marks on the material.
- Fix the area to be embroidered.

Spray starch for additional stiffening

Spray starch is ideal for additional stiffening on fine, soft or loosely woven materials.

- Spray on the area to be embroidered
- Wait until dry; or press gently with a warm iron if necessary
- Always use an additional stabilizer such as water soluble stabilizer to be applied on the material.

Application:

- Ideal for fine, loosely woven materials, e.g. batiste, fine linen, etc.

❖ Iron-on interfacing

Iron-on interfacings are available in a variety of weights. Iron-on interfacings should be selected to suit the material being used. Use an iron-on interfacing which is easily removable from the material.

Use the iron-on interfacing to the wrong side of material and press.

Application:

- Please use an appropriate stabilizer and cut it in a bigger shape than your embroidery pattern. Then place it onto the design for support.

Paper-backed adhesive stabilizer

- Place stabilizer in hoop with paper side up.
- Use a pointed tool (e.g. scissors) to score the paper.
- Remove the paper to reveal the sticky surface.
- Position the fabric over the sticky surface and smooth into place.

Application:

- Intended for delicate materials such as jersey or silk etc.
- For hard-to-hoop parts and materials.

Note

Make sure that the adhesive residue on needle, stitch plate and hook area are totally removed.

Water soluble stabilizer

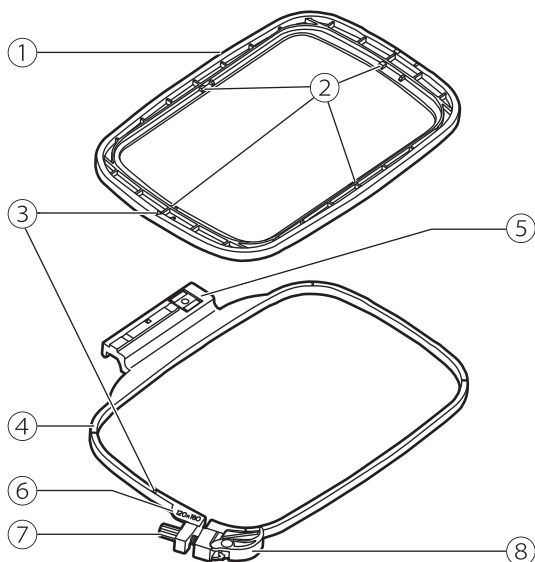
Water soluble stabilizer looks like plastic wrap. When you finish embroidery design, simply submerge project in warm water to dissolve stabilizer. Water soluble stabilizer helps keep the stitches from disappearing in high-pile fabrics (such as towels of fluffy cotton).

- Place the water-soluble stabilizer on top of the fabric.
- Place all layers together into the embroidery hoop.
- Use adhesive spray to fix stabilizer if necessary.
- For pile fabrics, an additional stabilizer on the wrong side is suggested for reinforcement.
- After finishing the sewing, dissolve it and lay the project until dry.

Application:

- Available for towel, velvet, bouclé and etc.
- Available for fine, sheer material such as organdy, bastiste and etc.
- Available for lace embroidery.

Embroidery hoop overview



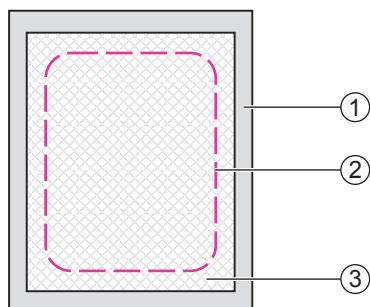
- ① Inner hoop
- ② Center marks
- ③ Triangular mark
- ④ Outer hoop
- ⑤ Embroidery hoop connector
- ⑥ Hoop size marks
- ⑦ Fastening screw
- ⑧ Quick release device

Preparing the embroidery hoop

❖ Attaching a stabilizer to the fabric

⚠ Attention

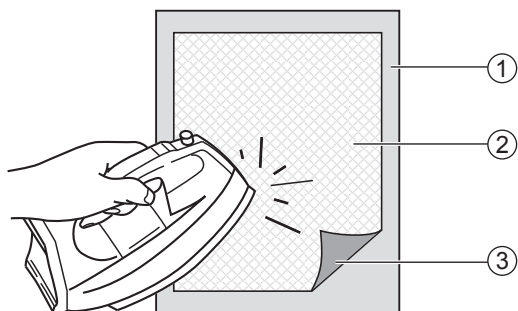
Always use stabilizer material when embroidery. The needle may break or bend without using stabilizer material for thin fabrics or stretch fabrics in embroidering works. Furthermore, the pattern may not be sewn perfectly.



To obtain the best embroidery performance, it is important to use stabilizers.

Prepare stabilizer material that is larger than the embroidery hoop being used.

- ① Wrong side
- ② Size of embroidery hoop
- ③ Stabilizer



If you are using adhesive stabilizers, place the adhesive surface of the stabilizer material against the wrong side of the fabric, and iron.

- ① Wrong side
- ② Stabilizer
- ③ Adhesive surface

❖ Hooping the fabric

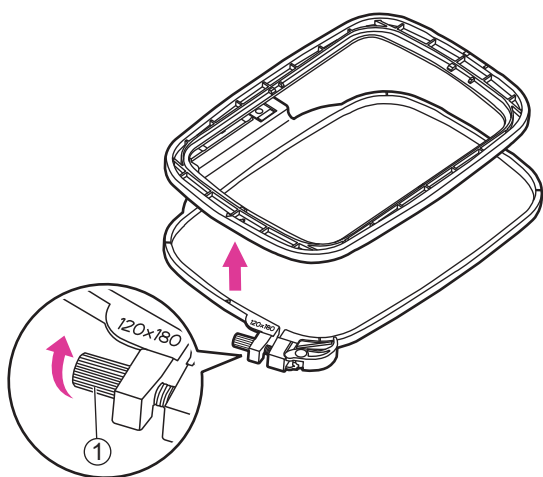
⚠ Attention

Thick layers of fabric and stabilizer may cause skipped stitches, or broken threads, needles and damage on embroidery hoops.

Loosen the fastening screw under the outer hoop.

Separate the inner hoop and outer hoop.

- ① Fastening screw

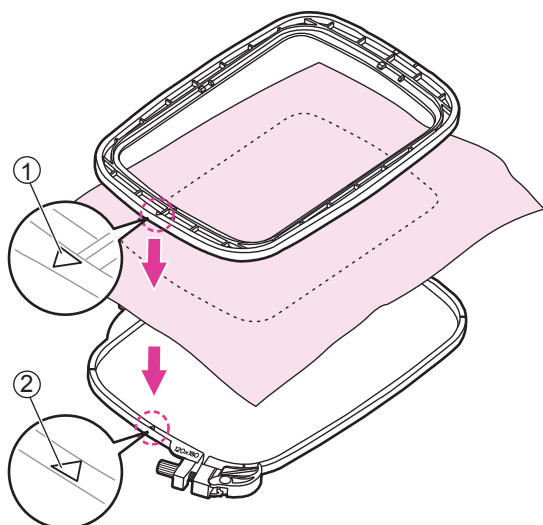


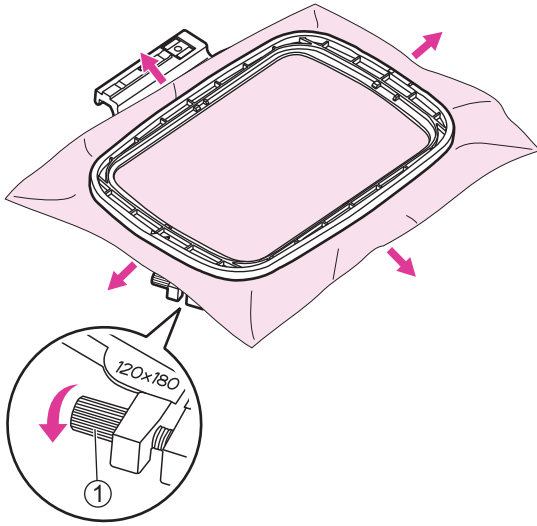
Place the outer hoop on a sturdy flat space.

Make sure the fabric with right side upwards, place the stabilizer underneath the fabric for better support, and then place the fabric and stabilizer altogether on the outer hoop. It can achieve better embroidery performance.

Align both triangular marks and fix the fabric in place.

- ① Inner hoop's triangular mark
- ② Outer hoop's triangular mark





Place the inner hoop on the fabric and press firmly until they are securely fit to outer hoop perfectly. If the inner hoop cannot fit properly, loosen the outer hoop's fastening screw and adjust until fitted.

When the fabric and inner hoop are completely fit into the outer hoop, pull the fabric from the four sides marked with the arrows so that the fabric is stretched drum-tight in the hoop, and then press the inner hoop downwards so that it sinks into the outer hoop a little and tighten the fastening screw.

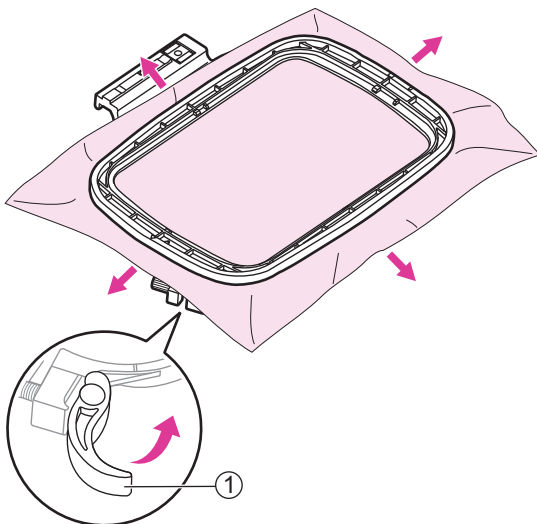
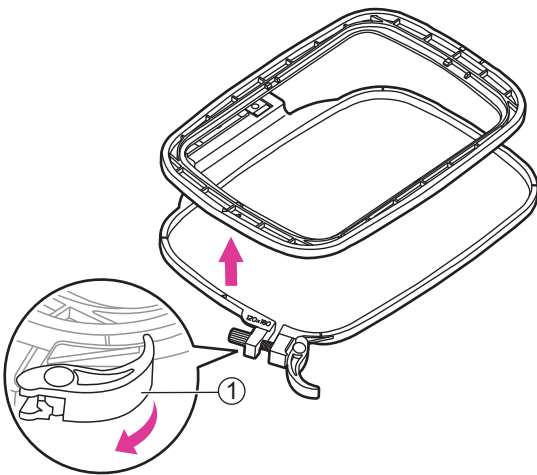
① Fastening screw

❖ Use the quick release device

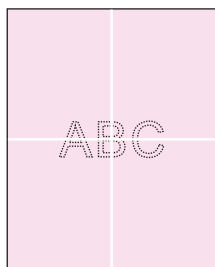
If same type of fabric is used for embroidery, open the quick release device under the outer hoop.

Separate the inner hoop and outer hoop.

① Quick release device



Place the inner hoop on the fabric and press firmly until they are securely fit to outer hoop perfectly, pull the fabric from the four sides marked with the arrows so that the fabric is stretched drum-tight in the hoop, and then press the inner hoop downwards so that it sinks into the outer hoop a little and close the quick release device.



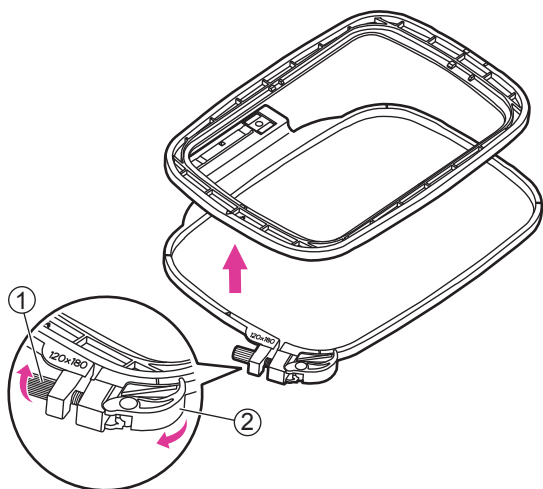
❖ Using embroidery sheet

Make a mark with a chalk at the center of the position for the pattern to be embroidered.

Loosen the fastening screw or open the quick release device (if same type of fabric is used for embroidery).

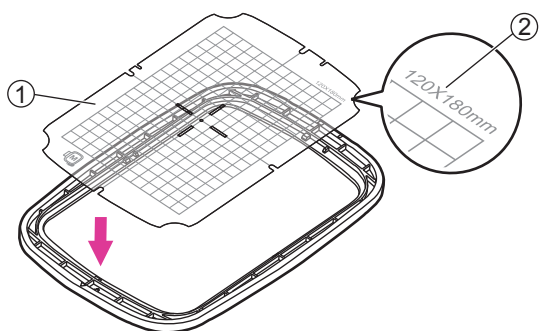
Separate the inner hoop and outer hoop.

- ① Fastening screw
- ② Quick release device



Place the embroidery sheet on the inner hoop. Make sure the hoop size printing is on top right side.

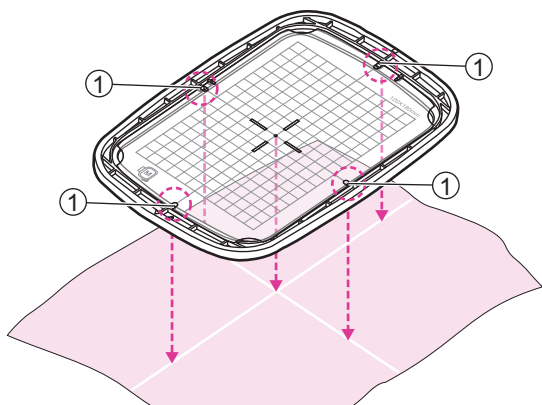
- ① Embroidery sheet
- ② Hoop size

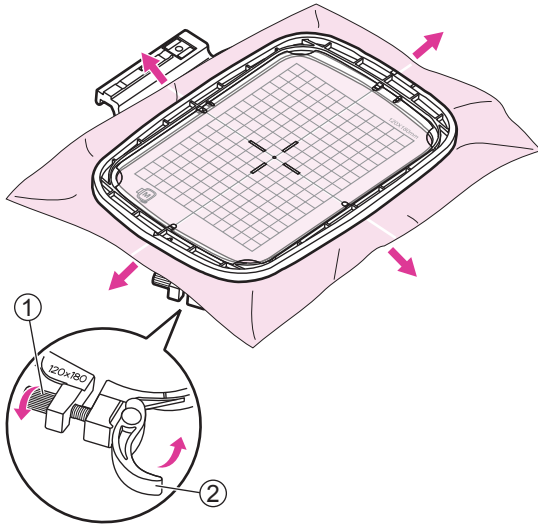


Line the mark on the fabric up with the base line on the embroidery sheet.

Also, align the cross mark of the fabric to the center marks on the four sides of the inner hoop.

- ① Center marks

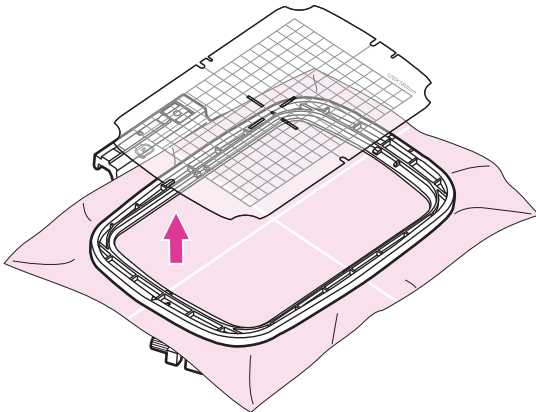




Place the inner hoop on the fabric and press firmly until they are securely fit to outer hoop perfectly. If the inner hoop cannot fit properly, loosen the outer hoop's fastening screw and adjust until fitted.

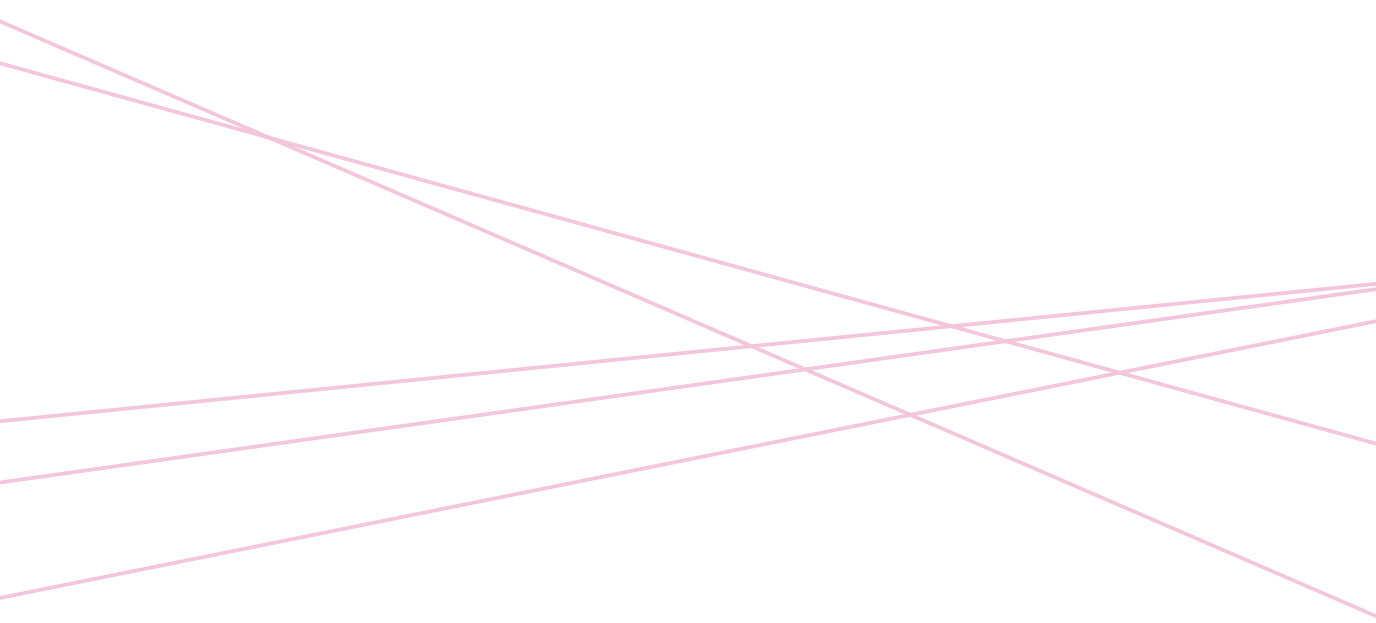
When the fabric and inner hoop are completely fit into the outer hoop, pull the fabric from the four sides marked with the arrows so that the fabric is stretched drum-tight in the hoop, and then press the inner hoop downwards so that it sinks into the outer hoop a little and tighten the fastening screw or close the quick release device (if same type of fabric is used for embroidery).

- ① Fastening screw
- ② Quick release device



Remove the embroidery sheet.

Embroidery Process

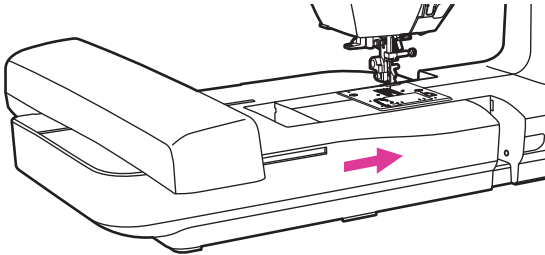


Step 1. Preparation for embroidery

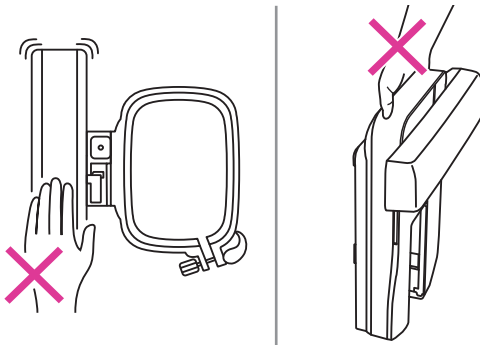


Note

Please check and make sure the presser foot is raised and remove embroidery hoop first before attaching embroidery unit onto the machine.



Slide the embroidery unit onto the machine arm. Push lightly until the unit clicks into place.

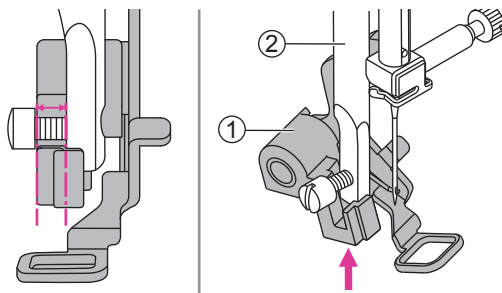


Note

Do not touch the embroidery unit detection device. The connector could be damaged, and it may cause malfunctions.

Do not press or force on embroidery carriage, and do not lift it up. It may cause malfunctions.

Do not carry the embroidery unit by holding the release button compartment.

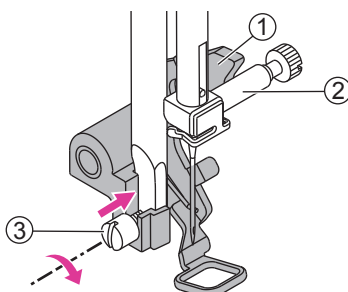


Please confirm embroidery foot is installed correctly:

Make the embroidery foot lever upwards.

Tilt the embroidery foot and insert it from left to right so that the notch fits into the presser foot bar, and then push the embroidery foot upwards until it is aligned with the screw.

- ① Embroidery foot
- ② Presser foot bar



The embroidery foot lever will be against the top of the needle clamp screw, then tighten the screw by using the screwdriver.

- ① Embroidery foot lever
- ② Needle clamp screw
- ③ Screw

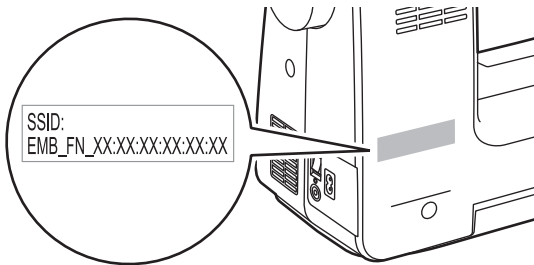
Step 2. Starting the connection



❖ Embroidery software installation

Search "IPINK" on Google Play/Apple Store to download and install the application in order to perform the following setting steps.

To reach the best user experience, we recommend you to use the tablet to connect with the machine for further operation.



Note

The SSID sticker is on the back of the machine. The SSID starts with EMB_FN_XX:XX:XX:XX:XX:XX. Each machine has its own SSID and please take note of it before starting the connection, especially in a public environment.

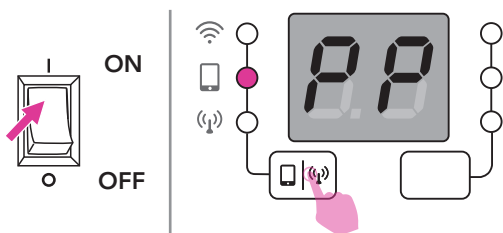
Step 2-A. Connection mode: Router



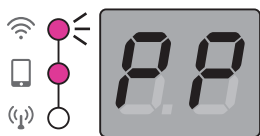
❖ The first time to set up

Before setting up, please confirm that the environment is equipped with the WiFi router and make sure it is connected to the internet in order to starting the connection.

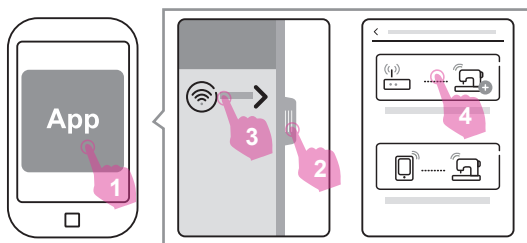
Please set the SSID of your WiFi access station in English letters or digital numbers then re-connect again.



Turn on the power, and check if the screen shows "PP" and the second light is on. If it is not, please long press the connection mode switch button to switch the light.

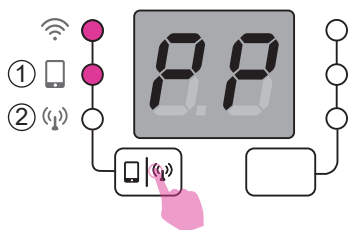


The WiFi light will start flashing, which means ready to connect machine.



Please open the app on your portable device. (smart phone or tablet)

Please slide or press the bar at the left side, and press "Add a new connection". Then choose "Set up the Router Mode connection."



Note

In embroidery mode, long pressing the group switch button can change the connection mode according to your demand.

The connection mode is including:

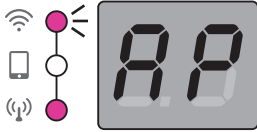
- ① Point-to-point mode(PP)
- ② Router mode(AP)

Note: the connection mode switch button could not apply until AP mode was set up.

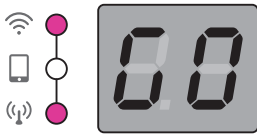


❖ Connection

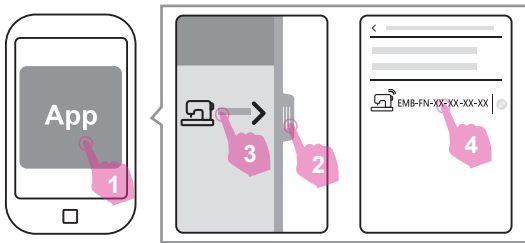
When router mode setting was done, the machine will connect with the router automatically next time.



When the screen shows AP and the WiFi light start flashing, the machine is ready to connect with the App.



Start the App and the connection will follow automatically. When the connecting is done, the screen shows "GO" and the connection with the App is successful.



Note

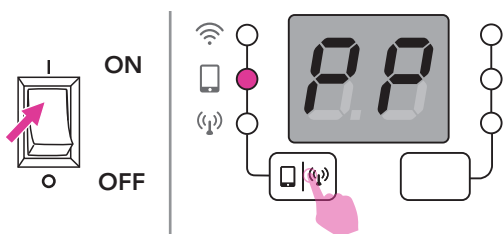
If the connecting does not follow automatically, please slide or press the bar at the left side, and press "Machine in the router network." The connected machines with the router will be indicated and press one to enable the connection.

Step 2-B. Connection mode: Point-to-point

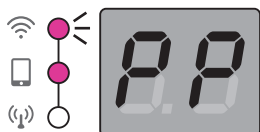


⚠ Attention

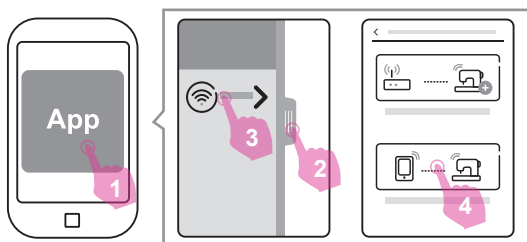
In this connection mode, the internet function of the portable device itself cannot be used and the cloud download function cannot be used as well.



Turn on the power, and check if the screen shows "PP" and the second light is on. If it is not, please long press the connection mode switch button to switch the light.

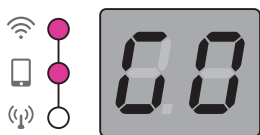


The WiFi light will start flashing, which means ready to connect machine.



Please open the app on your portable device. (smart phone or tablet)

Please slide or press the bar at the left side, and press "Add a new connection". Then choose "Set up the point-to-point Mode connection."



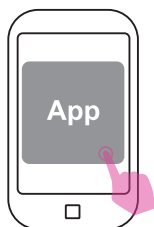
Once it has successfully connected to the APP, the screen will show GO, which means that the embroidery function can now be normally executed.

Note

Point-to-point mode is recommended for performing embroidery when there is a lot of wireless signal interference environment, this will reduce the interference among different devices.

Step 3. Import/edit embroidery pattern

Start exerting your creativity through the app and edit exclusive embroidery creations.



The app provides users with the best embroidery experience; you can freely and easily import and create your favourite images through the portable device. Once editing is completed, it can be transmitted to the embroidery machine through WiFi to perform embroidering and monitor the embroidering through the screen.

Embroidery format packages supported for app importing includes: .zhs, .pes, .dst, .jef, .xxx, .hus, .exp, .pec, .pcs, .sew, .vip and .vp3.

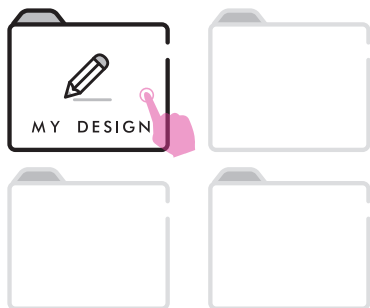


❖ Importing files on iOS

After connecting to an iOS device through iTunes, simply select the app and press add file to add the file.

❖ Importing files on Andriod

After physically connecting to a mobile phone, use the file manager software and locate the IPINK/MyDesign folder on the internal storage, and place the files there.

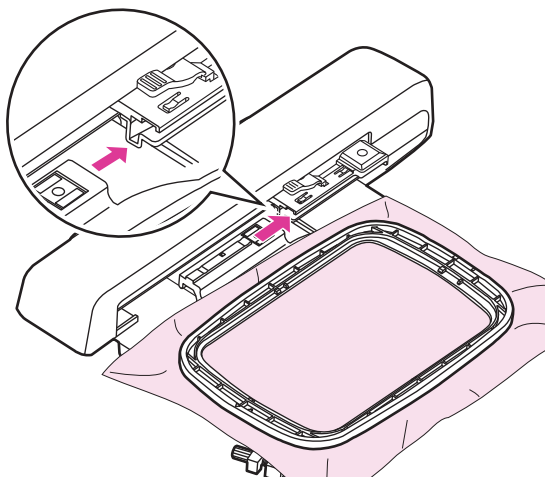


❖ Location of imported files on App

Open the app and locate the MY DESIGN folder to open the loaded image files.

Step 4. Install the embroidery hoop

After editing the embroidery image file, place the embroidery hoop with the corresponding size to perform the preparations for embroidering.



The embroidery hoop has two built-in sizes which are 120x80mm and 50x70mm, respectively. Select the corresponding size according to the image design.

Once the power is turned on, hoop the fabric in the selected embroidery hoop and use your finger to lightly raise the presser foot lifter, slide the embroidery hoop into the embroidery unit to assemble them. When you hear a "click", it means that the embroidery hoop installation is completed.

Note

Please raise the presser foot lifter while the embroidery hoop is resetting.

The reset action must be performed every time when a different size embroidery hoop is re-installed.

⚠ Attention

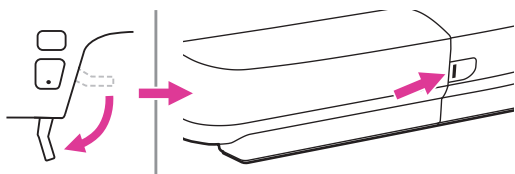
Please check the fabric thickness in advance, if the fabric is too thick, please don't use it for embroidery.

If there is space between the presser foot and the fabric, the fabric can be embroidered. If there is not space, do not embroider the fabric. Otherwise, the needle may break, resulting in injury.

Please be careful when sewing overlapping patterns as the needle might break due to the difficulty of fabric penetration.

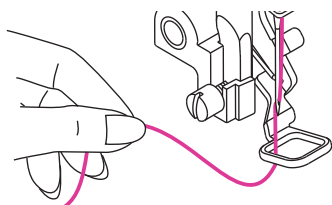
Step 5. Begin to embroider

Once preparation is completed, the embroidery file can be transmitted to the embroidery machine through the APP to start embroidering.



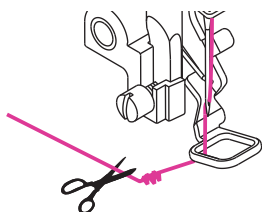
After the embroidery app has successfully transmitted the embroidery file to the embroidery machine, lower the presser foot lifter and the status light will change from yellow to green, which means that everything is ready.

Please place the first color of threads to embroider according to the instruction on the app screen.



Long press start/stop button to start embroidering.

Once all the color threads have been embroidered, your exclusive embroidery design has completed.



Note

After sewing 5 to 6 stitches, press the start/stop button again to stop the embroidering.

Raise the presser foot lifter. Cut the thread at the beginning of the stitching.

Lower the presser foot lifter. Long press the start/stop button to continue embroidering.

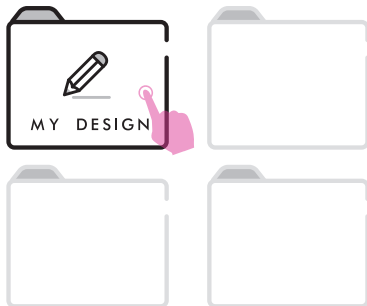


Note

When the thread needs to be changed, press start/stop button to stop embroidering, and press the thread cutter button to cut the thread.

Different colored threads will need to be changed several times according to the embroidery design, please place the corresponding colored threads in sequence. When users pause the machine to change threads and the embroidery unit is too close to needle, please press the hoop relocater button. The embroidery hoop will be moved to center position for you to change thread easily.

After the thread change is complete, long press the start button and the embroidery hoop will automatically return to the paused position. The machine will continue embroidering.



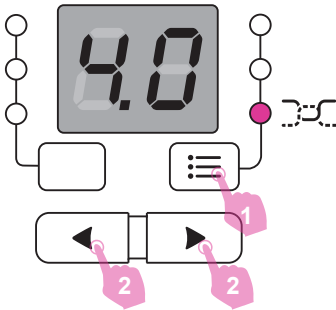
❖ Load a Design after interruption

When you need to leave temporarily during embroidering, save current embroidery pattern first. The current numbers of stitches will be recorded in app. Then turn the embroidery machine power off and remove the embroidery unit apart.

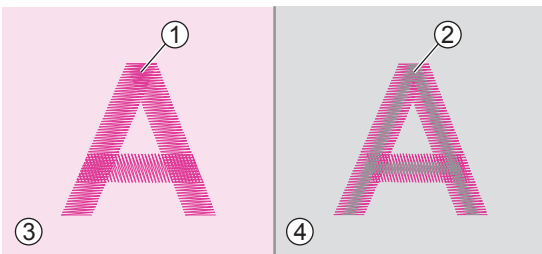
When you re-start previous embroidery, connect the machine and open the app. Find the saved embroidery pattern in MY DESIGN folder and load it. After loading the file completely, you can continue to embroider from the previous point again.

❖ Adjusting the embroidery thread tension

- Proper setting of tension is important for good sewing. There is no single tension setting appropriate for all the stitch functions and fabrics.
- Basic thread tension setting: "4"

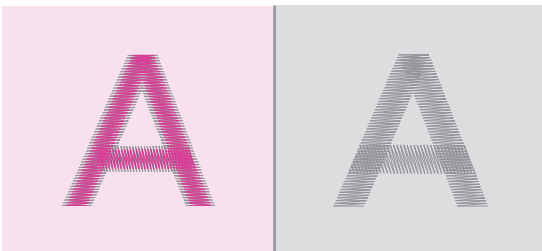


Press the setting switch button, when the tension light is on, the embroidery thread tension can be adjusted.



The thread tension is correct when upper thread is just visible on back of the fabric.

- ① Upper thread
- ② Bobbin thread
- ③ Right side
- ④ Wrong side



When the bobbin thread is visible on the front of the fabric, the thread tension is too tight for embroidering. To reduce the tension, press the "-" button.

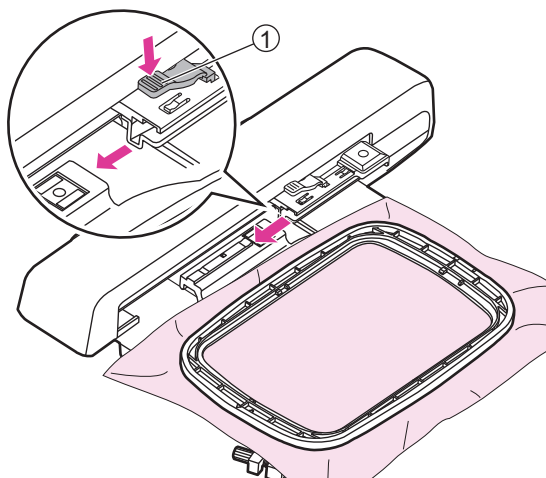


When the upper thread has slack, the thread tension is too loose for embroidering. To increase the tension, press the "+" button.

Note

Please use the same fabric of the project and do a sewing test in advance.

Step 6. Finish the embroidery Remove

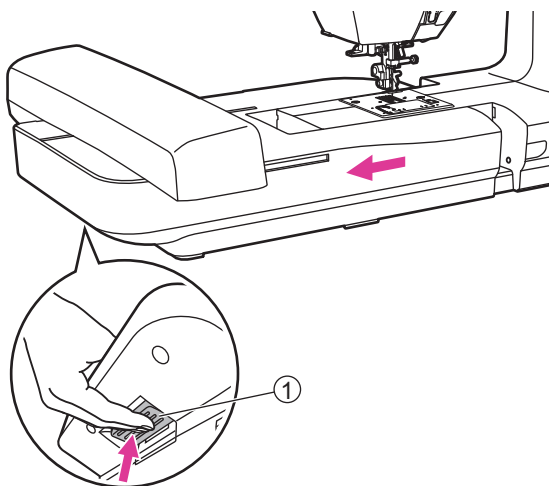


❖ embroidery hoop

Raise the presser foot lifter and confirm the needle is at the highest position. And then press the hoop-securing lever to pull the embroidery hoop backward to remove the embroidery hoop.

① Hoop-securing lever

Remove embroidery unit



Hold the embroidery unit and press the release button, then slide the embroidery unit to the left to move out it.

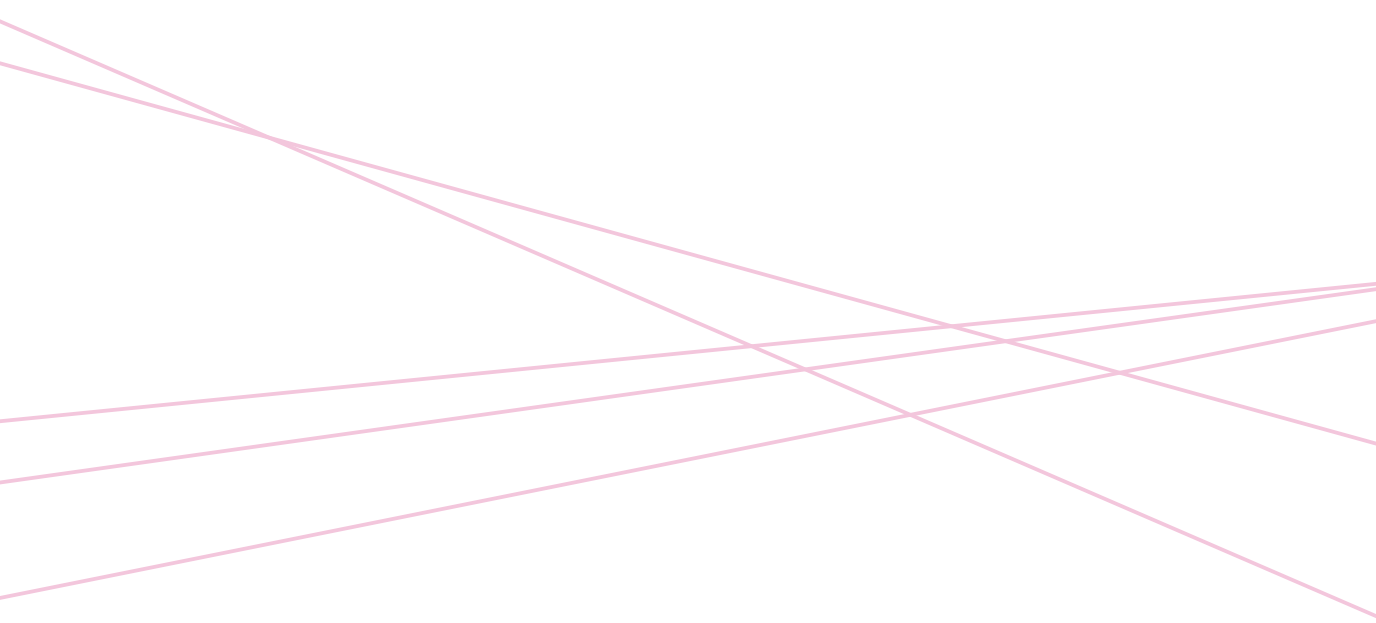
① Release button

Note

Please firstly remove the embroidery hoop before removing the embroidery unit.



Maintenance and Trouble shooting



Maintenance

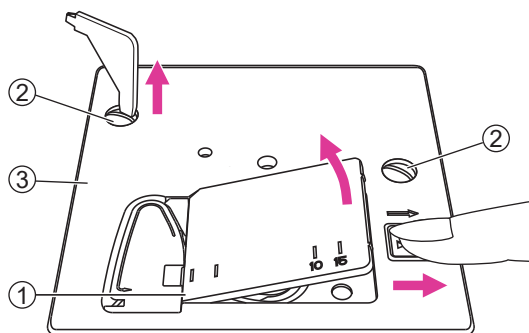
⚠ Attention

Disconnect the power cord from the wall socket before carrying out any maintenance, otherwise injury or electrical shock may result.

❖ Clean the machine surface

If the surface of the machine is dirty, lightly soak a cloth in mild detergent, squeeze it out firmly and then wipe the surface. After cleaning it once in this way, wipe the surface again with a dry cloth.

Do not use any organic solvents or detergents



❖ Clean the hook

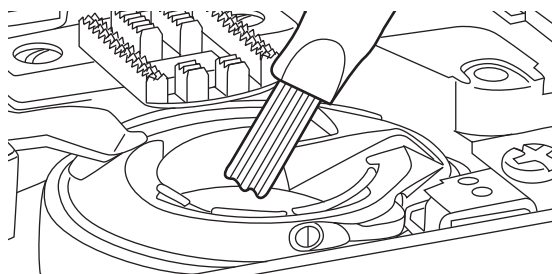
If lint and bits of thread accumulate in the hook, this will interfere with the smooth operation of the machine. Check regularly and clean the stitching mechanism when necessary.

Remove the needle, presser foot and presser foot holder.

Remove the bobbin cover and bobbin.

Remove the screws on the needle plate then remove the needle plate.

- ① Bobbin cover
- ② Screws
- ③ Needle plate



Clean the feed dogs and bobbin case with a brush. And also use a soft and dry cloth to clean them.

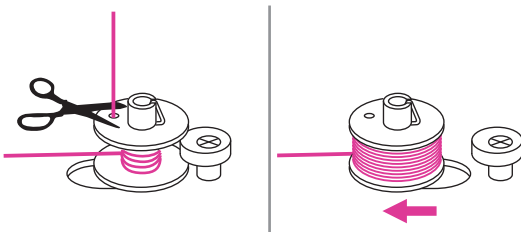
Warning Function



❖ Warning beeping sound

- Operate correctly: 1 beep.
- Operate incorrectly: 3-short beeps.
- When the machine is in trouble and can't sew: 1-long beeps.

It means that the thread may be twisted or jammed and the handwheel axle can't move. Please look through the "Trouble shooting guide" to find the solution. After the problem has been solved, the machine will be able to sew.



Return bobbin winder spindle to left

When the bobbin thread is full or machine stop, if the bobbin winder spindle is still in the right position, you will hear 3-short beeps by pressing any button until you push the spindle to the left.

Return the bobbin winder spindle to the left.

Note

If the problem is still not solved, please contact your local dealer.

⚠ Attention

During sewing, if the thread has been jammed inside the hook and needle movement stops. If you continue to sew, the machine will stop automatically due to safety. If machine stops, please turn off the machine firstly then turn on again.



❖ Instruction message display

The machine is in trouble

The animation message means that the thread is twisted or jammed and the hand wheel axle cannot move. Please look through the "Trouble shooting guide" to find the solution. When the problem is solved the machine will continue sewing.

Trouble shooting guide

Before calling for service, check below trouble shooting guides in advance, if problem still exist, please contact nearest dealer or local service center.

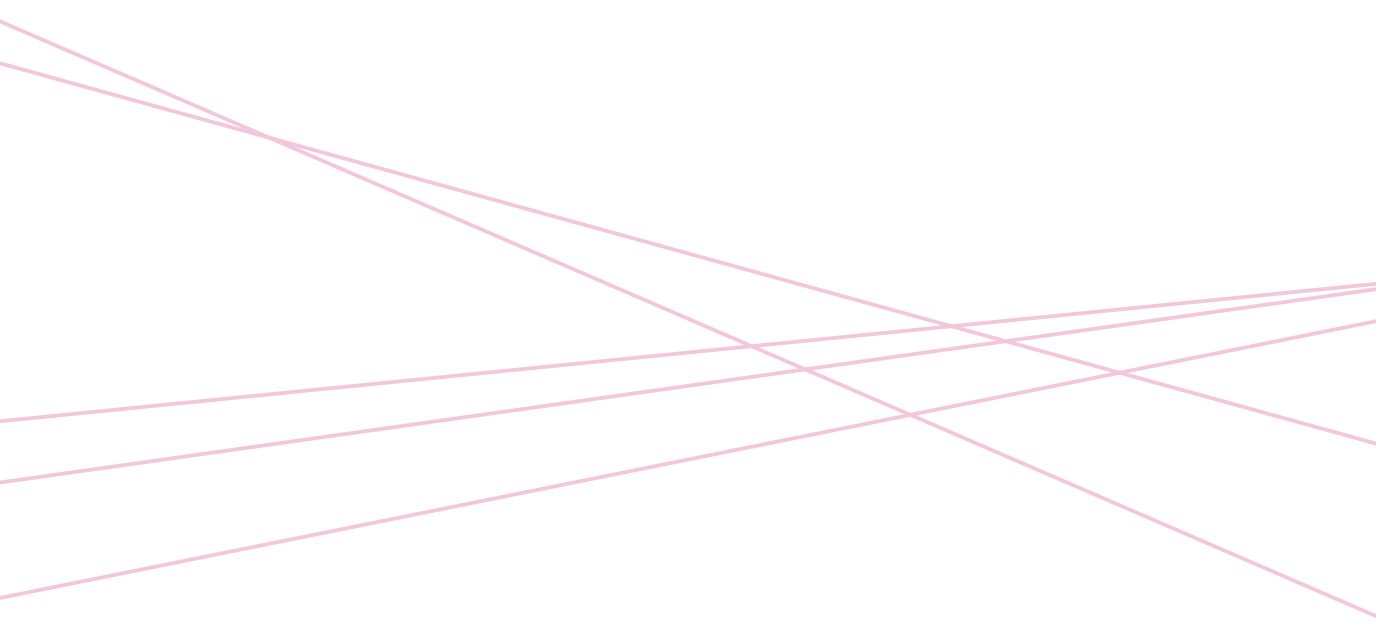
Problem	Cause	Correction	Reference
Upper thread breaks	1. The machine is not threaded correctly.	1. Rethread the upper thread.	13-15
	2. The thread tension is too tight.	2. Reduce the thread tension (to lower number).	42
	3. The thread is too thick for the needle.	3. Select a larger needle size.	17
	4. The needle is not inserted correctly.	4. Remove and reinsert the needle (flat side towards the back).	16
	5. The thread is wound around the spool holder pin.	5. Remove the reel and wind up the thread onto the reel.	13
	6. The needle is damaged.	6. Insert a new needle.	16
Bobbin thread breaks	1. The bobbin case is not inserted correctly.	1. Remove and reinsert the bobbin case and pull on the thread.	12
	2. The bobbin case is threaded wrong.	2. Check both bobbin and bobbin case if on the correct position.	12
Skipped stitches	1. The needle is not inserted correctly.	1. Remove and reinsert the needle (flat side towards the back).	16
	2. The needle is damaged.	2. Insert a new needle.	16
	3. The wrong size needle has been used.	3. Choose a needle to suit the thread.	17
	4. The presser foot is not attached correctly.	4. Check and attach it correctly.	33
	5. The machine is not threaded correctly.	5. Rethread the upper thread.	13-15
Needle breaks	1. The needle is damaged.	1. Insert a new needle.	16
	2. The needle is not correctly inserted.	2. Insert the needle correctly (flat side towards the back).	16
	3. Wrong needle size for the fabric.	3. Choose a needle to suit the thread and fabric.	17
	4. The needle clamp screw is loose.	4. Use the screwdriver to tighten the screw.	16
	5. The upper thread tension too tight.	5. Loosen the upper thread tension.	42

Problem	Cause	Correction	Reference
Loose stitches	1. The machine is not correctly threaded.	1. Check the threading and rethread.	13-15
	2. The bobbin case is not threaded correctly.	2. Thread the bobbin case as illustrated.	10-12
	3. Needle/fabric/thread combination is wrong.	3. The needle size must suit the fabric and thread.	17
	4. The thread tension is wrong.	4. Correct the thread tension.	42
The machine is noisy	1. Fluff or oil have collected on the hook or needle bar.	1. Clean the hook and feed dog.	45
	2. The needle is damaged.	2. Insert a new needle.	16
	3. Thread is caught in the hook.	Remove the upper thread and bobbin case, clean the bobbin case with a brush.	45
Uneven stitches	1. Poor quality thread.	1. Select a better quality thread.	17
	2. The bobbin case is threaded uncorrect.	2. Remove the bobbin case and the thread and reinsert them correctly.	10-12
	3. Fabric has been pulled on.	3. Do not pull on the fabric. Lets it be taken by the machine.	-
The machine doesn't operate	1. The machine is not turned on.	1. Turn on the machine.	4
	2. The presser foot lifter is raised.	2. Lower the presser foot lifter.	9
	3. The machine is not plugged in.	3. Connect the power cord to the electric outlet.	4
Embroidery unit does not move	1. The embroidery unit is not set up correctly.	1. Reset the embroidery unit up correctly.	33
	2. The machine isn't turned on.	2. Turn on the machine.	4
	3. No embroidery pattern selected.	3. Select a embroidery pattern.	-
	4. Install embroidery hoop but without initializing in advance.	4. Remove the embroidery hoop.	43
The embroidery result is not good enough	1. The thread tension is not right.	1. Adjust to proper thread tension setting.	42
	2. Poor quality thread.	2. Select a better quality thread and attach spool net to thread.	9
	3. The thread tends to break and out the thread spool easily while using particular thread type.	3. Attach spool net on the thread.	9
	4. The wrong size needle has been used.	4. Choose a proper needle according to the fabric.	17
	5. No enough support due to lack of stabilizer.	5. Use a proper stabilizer according to fabric type.	24

Problem	Cause	Correction	Reference
Embroidery is not neatly completed	1. The thread is tangled and the bobbin case, etc., is plugged up.	1. Remove the tangled thread. When the bobbin case is plugged up, clean the race.	45
	2. The thread tension is incorrect.	2. Adjust the tension of the upper thread.	42
	3. The fabric is not fully stretched on the embroidery hoop. The fabric is loose.	3. Stretch the fabric properly on the embroidery hoop.	29
	4. No stabilizer material is attached.	4. Always use stabilizer material for embroidery with stretch fabrics, thin fabrics, fabrics with a loose weave and fabrics where stitches easily contract.	27-28
	5. Objects are placed near the carriage or embroidery hoop.	5. If the embroidery unit carriage or embroidery hoop bumps into objects, the pattern will be misaligned. Do not place objects within the range of embroidery hoop motion.	-
	6. Material coming out of the embroidery hoop is causing problems.	6. Stretch the fabric on the hoop once again so that the material coming out of the embroidery hoop does not cause problems, rotate the pattern and embroider.	-
	7. Embroider with a heavy fabric or the fabric material is hanging on the table.	7. During embroidery, if the fabric is hanging on the table will affect the embroidery unit movement, please hold the fabric gently in this case.	-
	8. The fabric is catching. It is pinched.	8. Stop the machine and set the fabric up correctly.	-
	9. The embroidery carriage was moved while the embroidery hoop was being removed or attached during embroidery.	9. If the embroidery carriage is moved during the process, the pattern may be misaligned. Be careful when removing or attaching the embroidery hoop.	-
	10. The needle thread is not threaded correctly.	10. Rethread the machine.	13-15
	11. Thread is caught in the hook.	Remove the upper thread and bobbin case, turn the handwheel backwards and forwards and remove the thread remnants.	45

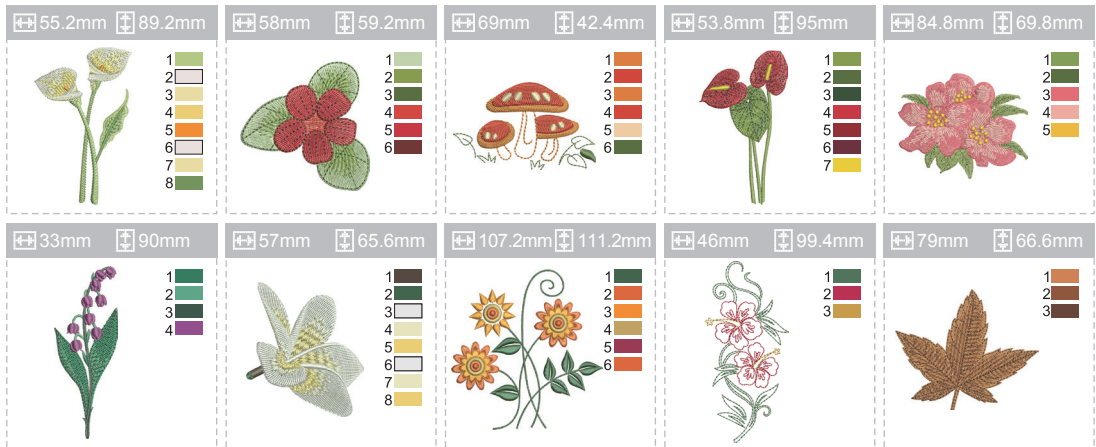
Problem	Cause	Correction	Reference
Embroidery machine connection issue	1. When starting the machine in router mode, the machine screen displays "E5" from "AP".	1. The connection failed because the router might not be in operation or the password is not correct. A.If it was the first time for setting, please check if the password is correct. B.If the router mode had already been set up successfully, please check if the router works normally and is well connected.	35
	2. No WiFi base station and signal in the current environment.	2. Please use the default point-to-point mode for connection. It allows a direct connection to the machine without via a WiFi router.	37
	3. When the machine power is turned on, the screen displays "SP" but no connection action was performed.	3. Bobbin winder spindle is on the right for bobbin winding. Push the spindle to the left for sewing.	11
	4. When the machine screen displays "E1".	4. Presser foot lifter is not raised or should be lowered.	9
	5. When the machine screen displays "E2".	5. Embroidery hoop is not installed or should be removed.	39, 43
	6. When the machine screen displays "E0".	6. Please install the embroidery unit.	33
	7. Connection is unstable and it disconnects all the time.	7. Please place the machine and handheld device near the WiFi station as close as possible. Interference will be impacted easily if there are several wireless signals in the environment; it suggest to change to point-to-point mode connection.	37

Embroidery pattern chart

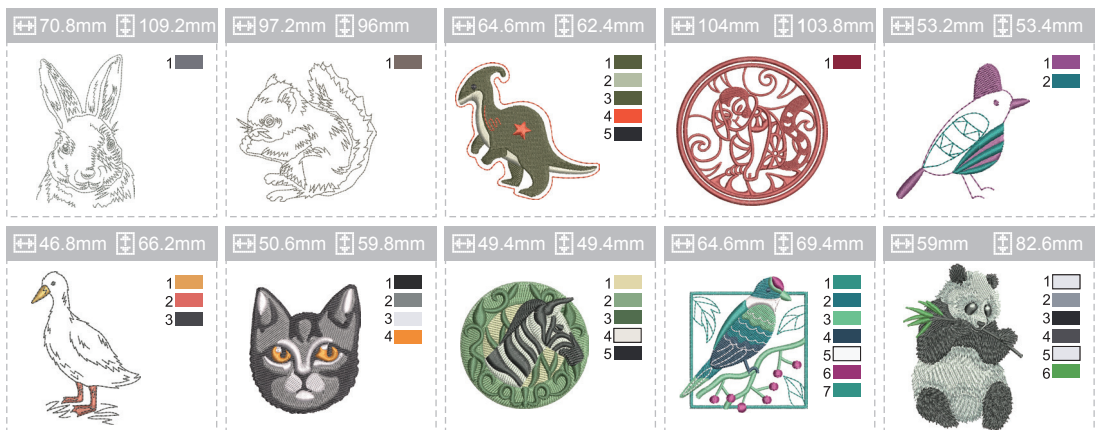


Embroidery pattern chart

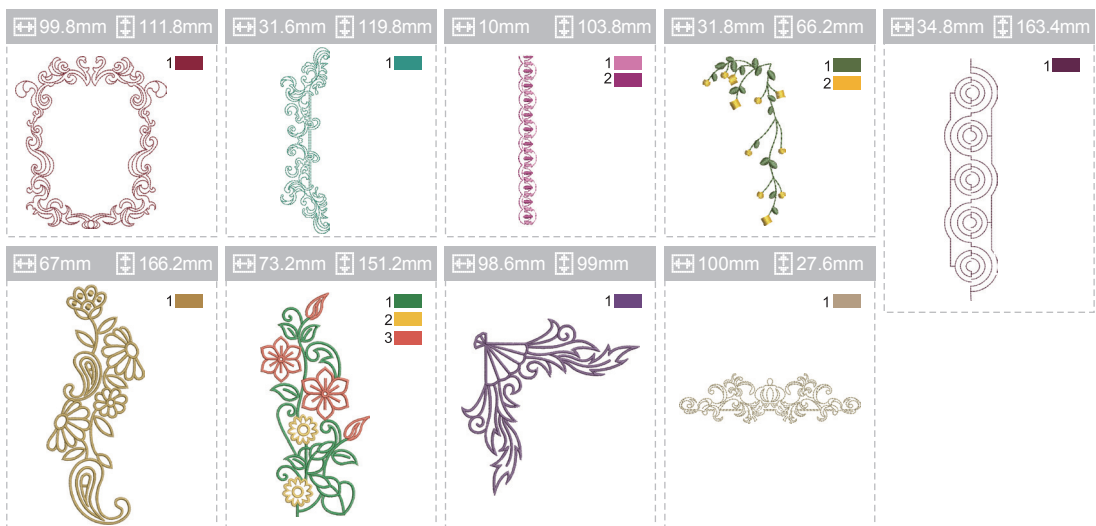
Floral & Plant



Animal



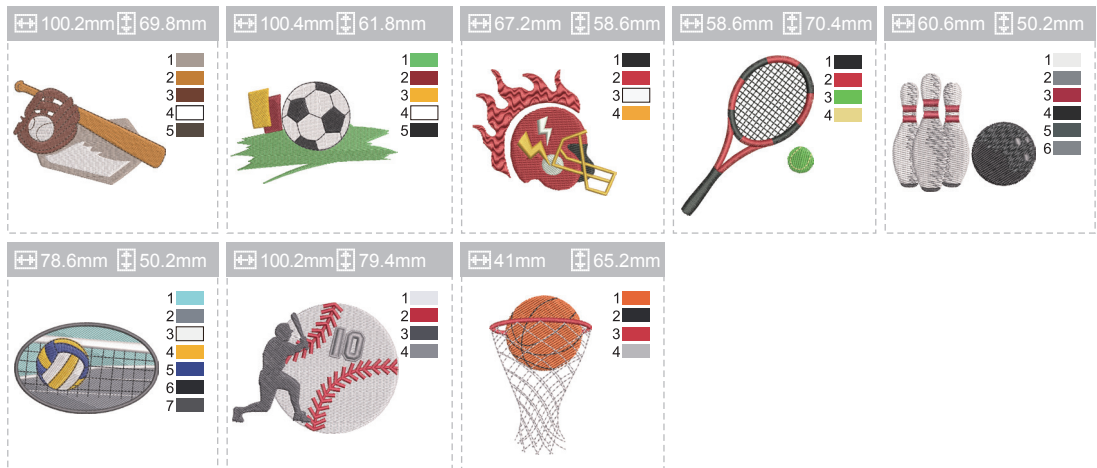
Frame



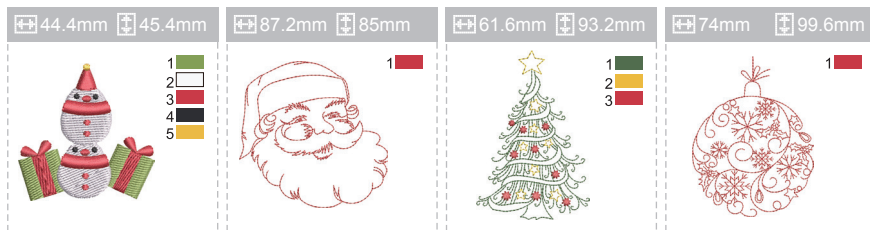
■ Totem



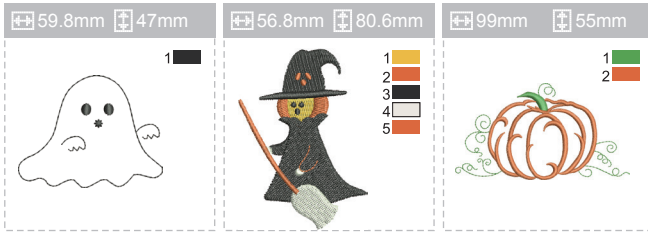
■ Sport



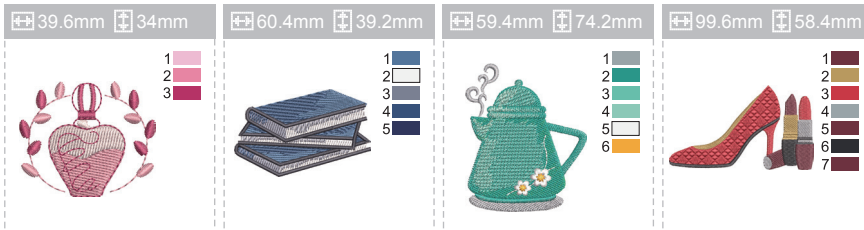
■ Christmas



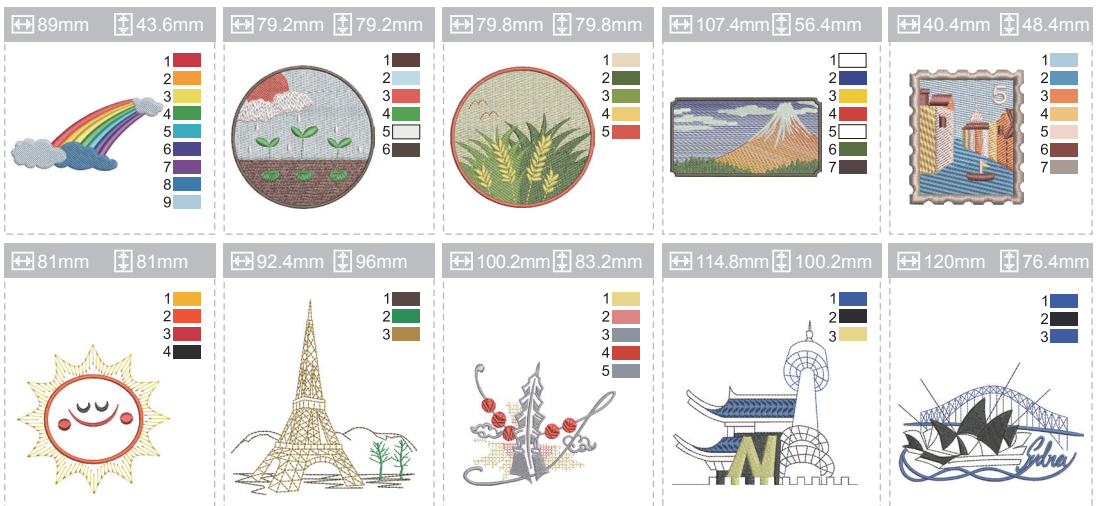
■ Halloween



■ Houseware



■ Scenery



Embroidery letter chart

Franklin Gothic Medium

A B C D E F G H I J K L M N O P Q R S T U V W X Y Z
a b c d e f g h i j k l m n o p q r s t u v w x y z
0 1 2 3 4 5 6 7 8 9 ! ; # \$ % & () , _ - . • : = +
< > ? ¿ ~ / @

À Á Â Ã Ä Å Æ Ç È É Ê Ë Ì Í Î Ï Ñ Ò Ó Ô Õ Ö Ø Ù Ú Û Ü
Û ß À Á Â Ã Ä Å Æ Ç È É Ê Ë Ì Í Î Ï Ñ Ò Ó Ô Õ Ö Ø Ù Ú Û Ü
ë ì í î ï ñ ò ó ô õ ö ø ù ú û ü þ à á â ã ä å æ ç è é ê
ś ș ź ż

Times New Roman Bold

A B C D E F G H I J K L M N O P Q R S T U V W X Y Z
a b c d e f g h i j k l m n o p q r s t u v w x y z
0 1 2 3 4 5 6 7 8 9 ! ; # \$ % & () , _ - . • : = +
< > ? ¿ ~ / @

À Á Â Ã Ä Å Æ Ç È É Ê Ë Ì Í Î Ï Ñ Ò Ó Ô Õ Ö Ø Ù Ú Û Ü
Û ß À Á Â Ã Ä Å Æ Ç È É Ê Ë Ì Í Î Ï Ñ Ò Ó Ô Õ Ö Ø Ù Ú Û Ü
ë ì í î ï ñ ò ó ô õ ö ø ù ú û ü þ à á â ã ä å æ ç è é ê
ś ș ź ż





Do not dispose of electrical appliances as unsorted municipal waste, use separate collection facilities.

Contact your local government for information regarding the collection systems available.

If electrical appliances are disposed of in landfills or dumps, hazardous substances can leak into the groundwater and get into the food chain, damaging your health and well-being.

When replacing old appliances with new ones, the retailer is legally obligated to take back your old appliance for disposal at least for free of charge.